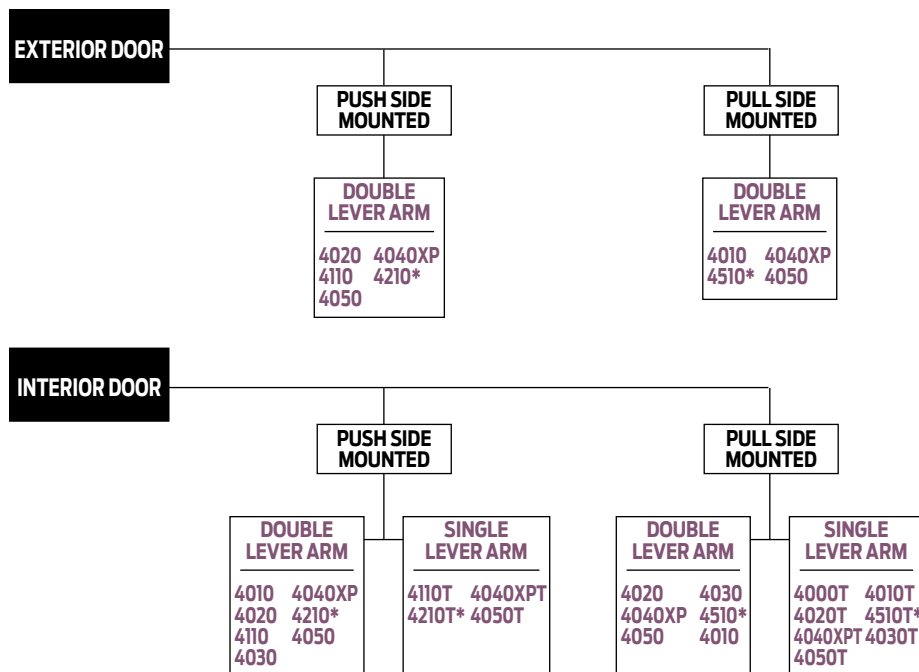


Product selection guide

Surface mounted 4000 Series LCN closers feature a modern design engineered for each application, easy installation, and superior performance. This guide is based on the desired mounting of the closer.



* INDICATES HIGH SECURITY CLOSER. REFER TO THAT SECTION OF THE CATALOG.

Product comparison

This chart shows a basic comparison of 4000 Series closers. Refer to the specific closer chapter for complete details.

CLOSER SERIES	MOUNTING					FINISH		COVER		CYLINDER			*ARM FUNCTION										
	HINGE (PULL SIDE)	TOP JAMB (PULL)	TOP JAMB (PUSH)	PARALLEL ARM	STOP FACE	POWDER COAT	PLATED	PLASTIC	METAL	NON-HANDED	NON-SIZED	ACCESSIBILITY	DELAYED ACTION***	AVB**	REGULAR (DOUBLE)	STANDARD (SINGLE)	HOLD-OPEN	FUSIBLE LINK	ED/IN/EDA	CUSH/HCUSH	SCUSH/SHCUSH	DOUBLE EGRESS	
4010	●	○	○	○	○	●	●	●	●	○	●	♿	●	○	140°	○	140°	140°	○	○	○	○	○
4010T	●	○	○	○	○	●	●	●	●	○	○	♿	○	○	○	180°	120°	○	○	○	○	100°	○
4020	○	○	●	○	○	●	●	○	●	○	●	♿	●	○	180°	○	140°	140°	○	○	○	○	○
4020T	○	●	○	○	○	●	●	○	○	○	○	♿	○	○	○	180°	100°	○	○	○	○	○	○
4030	●	○	●	●	○	●	●	○	●	●	●	♿	○	○	180°	○	180°	○	110°	100°	100°	○	○
4030T	●	●	○	○	●	●	●	○	●	●	●	♿	○	○	○	180°	180°	○	○	○	○	○	○
4040XP	●	○	●	●	○	●	●	●	●	●	●	♿	●	○	120°	○	120°	○	180°	110°	110°	○	○
4040XPT	●	○	○	○	●	●	●	●	●	○	○	♿	○	○	○	120°	110°	○	○	○	○	95°	○
4050	●	○	●	●	○	●	○	●	●	●	●	♿	●	○	180°	○	180°	○	180°	110°	110°	○	○
4050T	●	●	○	○	●	●	○	●	●	●	●	♿	○	○	○	180°	180°	○	○	○	○	95°	○
4110	○	○	○	●	○	●	●	○	●	○	●	♿	●	●	○	○	180°	180°	180°	110°	110°	○	○
4110T	○	○	○	○	●	●	●	○	○	○	○	♿	○	○	○	○	110°	100°	○	○	○	○	○
4000T	●	○	○	○	○	●	●	●	○	●	○	○	○	○	○	90°	○	○	○	○	○	○	○

● AVAILABLE
○ NOT AVAILABLE

♿ Closer available with less than 5.0 lbs. opening force on 36" door.

* Maximum opening/hold-open point with standard template. See individual closer series for degrees of opening per installation.

** Advanced Variable Backcheck.

*** Delay Action for 4040XP incorporates standard 4041 cylinder.

4000 Series surface mounted closers

APPLICATIONS

- For aluminum, hollow metal, or wood swinging doors and frames.
- Can be used with hinge or pivot mounted door.
- Adapter plates and other installation accessories available for unusual conditions.

FEATURES COMMON TO 4000 SERIES

- Each closer (except 4050, 4050T, 4040XP, 4040XPT, 4030, 4030T) is designed for a specific mounting; hinge side, top jamb, or parallel arm. 4040XP closer with regular or hold-open arm mounts hinge side or top jamb. 4030, 4040XP and 4050 regular parallel arm closers include 62PA SHOE required to parallel arm mount either regular or hold-open arm.
- Handed for right or left swinging doors, except for 4000T, 4030, 4030T, 4040XP, 4050, 4050T and 4040XPT.
- Closers to meet ADA reduced opening force requirements except 4000T.
- Adjustable hydraulic backcheck cushions opening swing prior to 90°.
- Separate regulation of general closing speed and latching speed.
- Joints in regular arm and shoe adapt to uneven trim.
- Reversible shoe to boost latching power on double lever arms.
- Available in a wide range of standard or optional custom powder coat finishes to blend with door and frame.
- Plated finishes available to accent door and frame.
- Not designed for exterior mounting or exposed to elements.

DESIGN ASSISTANCE

LCN has been providing reliable solutions to unique door control problems since 1925. Design and specification assistance are only a phone call away.

Contact LCN for assistance or technical information at **877-671-7011** or **FAX 800-248-1460 (Order Entry)**, Fax **815-879-1495** for Product Support.

WARRANTY

30 year limited warranty; 25 year limited warranty (4050). See General Information Section for complete warranty details.

SPECIFICATIONS

Refer to "SPECIFICATIONS" section for suggested architectural specifications.

MATERIALS

- High strength **cast iron** or **cast aluminum** (4050) cylinder.
- **Forged steel** main arms.
- One piece **forged steel** piston.
- **Double heat treated** pinion.
- LCN's **all weather "Liquid X" fluid** performs to temperature ranges from 120°F (49°C) to -30°F (-35°C) without any seasonal adjustment.
- **High efficiency, full complement**, low friction bearings.
- Tamper resistant regulating screws.
- Full rack and pinion hydraulic action.
- Quiet, low friction track and roller combination for all single lever arm (track style) closers.

FINISHES

- Available in six standard or optional custom powder coat finishes to blend with door and frame.
- LCN's powder coat finishes surpass 100 hours of salt spray which is over four times the ANSI standard for corrosion resistance.
- For installations where a higher level of corrosive resistance is required, LCN offers an optional special rust inhibiting (SRI) pre-treatment. Closers that combine the exclusive LCN powder coat finish and the SRI pre-treatment exceed the ANSI standard for corrosion resistance even further.
- Plated finishes are available as an option to accent door and frame. (SRI not available with plated finishes).

LISTINGS & APPROVALS

UL listed for self-closing doors without hold-open under "SWINGING DOOR CLOSERS"(GVEV) file R1943.

Tested and certified under ANSI Standard A156.4 Grade One. Consult factory for details.

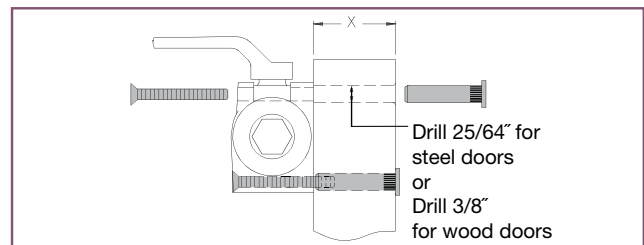
Consult factory for other listings such as; cUL, California State Fire Marshal, Bureau of Standards and Appeals.

POSITIVE PRESSURE

LCN closers have been certified for three hours by UL to be in compliance with UL 10C. Contact LCN for specific details on door closer fire ratings.

FASTENERS

4010, 4010T, 4020, 4020T, 4040XP, 4040XPT, 4050, 4050T, 4110, 4110T Series closers are shipped with: A standard SELF-REAMING and TAPPING SCREW (SRT) pack that contains Phillips head SRT screws to install the closer. 4000T series closers are shipped with: A standard WOOD and MACHINE SCREW (WMS) pack that contains Phillips head wood and machine screws to install the closer. 4030, 4030T series closers are shipped with: A standard WOOD and SELF-TAPPING MACHINE SCREW (WMS) pack that contains Phillips head wood and self-tapping machine screws to install the closer. Standard LCN thru bolts (TB) can be installed on 1-3/4" (44 mm) thick doors with 1/4"-20 machine screws. Optional thru bolt (TB) sizes are available for 1-5/8" (41 mm) or 1-3/8" (35 mm) door thickness, but this must be specified when ordering.

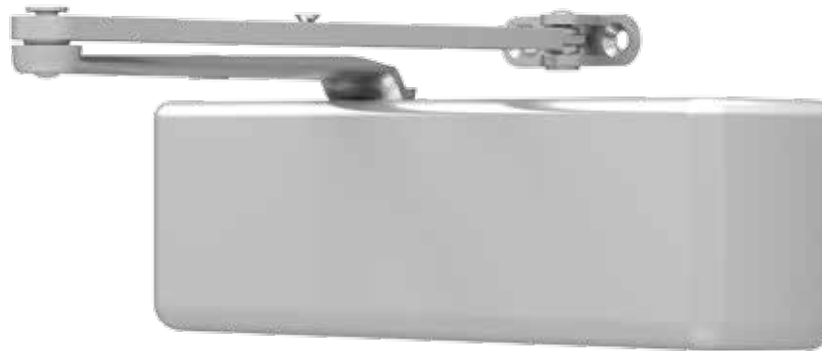


Notes:

1. For Thru Bolts, specify door thickness if other than 1-3/4" (44mm), represented in diagram as dimension "X".
2. Phillips head, metric machine screws are available, please specify.
3. LCN recommends the use of wood screws, available in optional WMS screw packs, for wood door applications.

MAINTENANCE

Closers mounted according to LCN installation instructions require no periodic maintenance or adjustments.

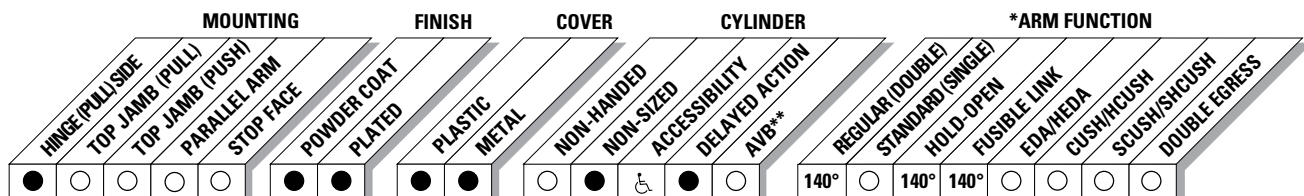


The 4010 is LCN's best performing heavy duty closer designed specifically for institutional and other rugged high traffic applications.

Certifications	Grade 1 - ANSI A156.4, UL 10C, ADA, 100 Hour Salt Spray, Meets BAA - Buy American Act	Cover	<ul style="list-style-type: none"> ■ Plastic, Standard ■ Metal, Optional
Body Construction	<ul style="list-style-type: none"> ■ Cast Iron Body ■ Full Complement Bearing ■ 1-1/2" Diameter Piston ■ 11/16" Diameter Double Heat Treated Pinion Journal 	Fasteners	Self Reaming and Tapping Screws (SRT)
Fluid	All Weather Fluid	Mounting	Hinge (Pull Side)
Handing	Handed	Arms	Regular Arm
Templating	Peel-n-Stick templates - 2-1/2" x 6" Mounting Hole Pattern	Finishes/Colors/ Powder Coat	<ul style="list-style-type: none"> ■ Aluminum (689) ■ Statuary Bronze (690) ■ Light Bronze (691) ■ Black (693) ■ Dark Bronze (695) ■ Brass (696) ■ Custom colors optional
Size	Adjustable 1-5 or Sized 6		<ul style="list-style-type: none"> ■ Optional SRI primer - powder coat only ■ Optional plated finishes
Warranty	30 years		

Special Templates

Customized installation templates or products may be available to solve unusual applications. Contact LCN Product Support for assistance.



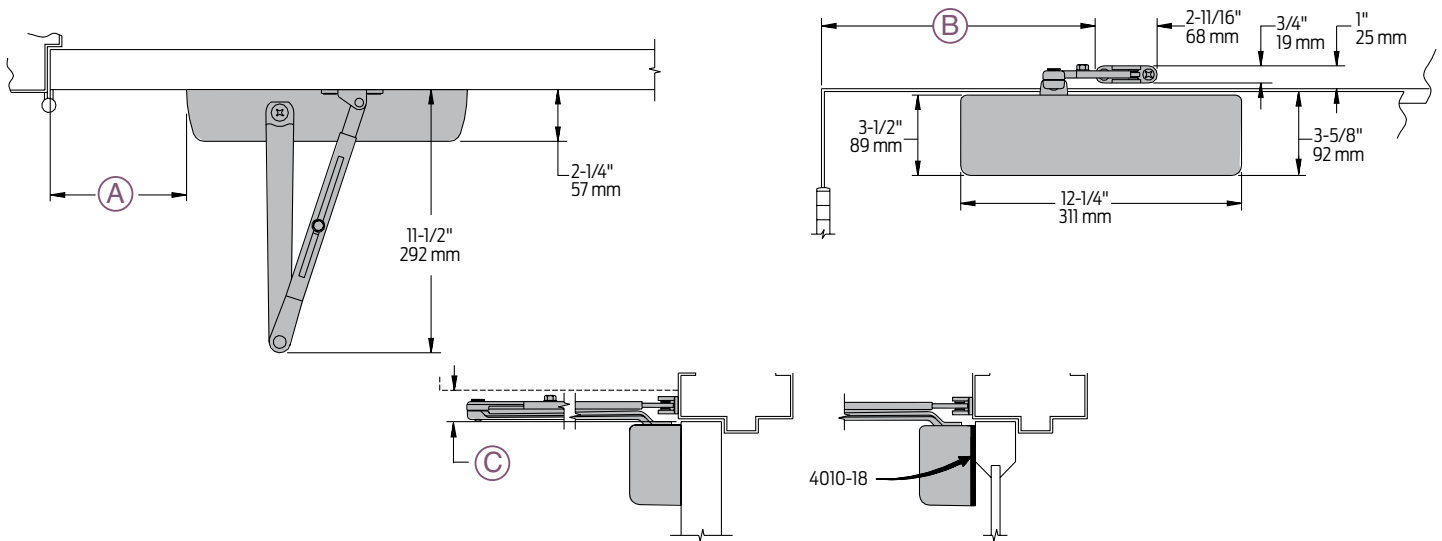
● AVAILABLE
○ NOT AVAILABLE

♿ Closer available with less than 5.0 lbs. opening force on 36" door.
* Maximum opening/hold-open point with standard template.
** Advanced Variable Backcheck.

4010 Series

Mounting details

Hinge (Pull) Side Mounting

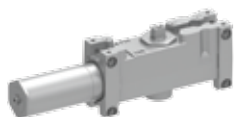


Butt Hinges	Should not exceed 5" (127 mm) in width
Auxiliary Stop	Recommended at hold-open point or where a door cannot swing 140°
Reveal	Should not exceed 3/4" (19 mm). Should not exceed 1/8" (3 mm) for Fusible link arm
Top Rail	<ul style="list-style-type: none"> Less than 3-3/4" (95 mm) requires PLATE, 4010-18 Plate requires 2" (51 mm) minimum Clearance of 2-1/4" (57 mm) behind door required for 90° installation
Delayed Action	<ul style="list-style-type: none"> Add suffix "DEL" to selected cylinder Not available with 4016 cylinder Delays closing from maximum opening to approximately 70°. Delay time adjustable up to approximately 1 minute
Maximum Opening	Can be templated for: 100°: A = 5-15/16" (151 mm) 140°: A = 4-3/16" (106 mm) B = 11-15/16" (303 mm) B = 10-3/16" (259 mm)
	Hold-open points up to maximum opening with hold-open arm
Arm Clearance	Regular arm: C = 1-1/16" (27 mm) Hold-open arm: C = 1-3/8" (35 mm) Fusible link arm requires: C = 1-5/8" (41 mm)

Note:

• Hold-open points up to maximum opening with hold-open arm

Cylinders



4011(6)-3071
Cast Iron Cylinder Assembly

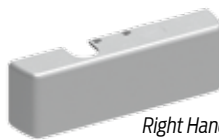
- Handed
- Standard

Covers



4010-72
Plastic Cover

- Non-handed
- Standard



Right Hand Shown

4010-72MC
Metal Cover

- Handed
- Required for plated finishes and custom powder coat finishes
- Optional

Installation Accessories



4010-18
Plate

- Required where top rail is less than 3-3/4" (95 mm)
- Requires minimum 2" (51 mm) top rail

Arms



4010-3077
Regular Arm

- Non-handed



4010-3049
Hold-Open Arm

- Handed
- Provides hold-open function, adjustable at elbow
- Optional



4010-3049FL
Fusible Link Arm

- Handed
- Releases hold-open function when exposed to temperatures above 165° F. 1/8" (3 mm) maximum reveal
- Optional

NOTE: Check local codes before specifying FL arms. NOT A life safety product!

How-to-order 4010 Series closers

1. Select cylinder size

- 4011 (adjustable from size 1 to 5)
- 4016 (DEL not available)

2. Specify hand

- RH
- LH

3. Select finish

- Standard Powder Coat _____
Aluminum, Dark Bronze, Statuary,
Light Bronze, Black, Brass.

Closer will be shipped with:

- Standard cylinder
- Standard cover
- Regular arm
- Self-reaming and tapping screws unless options listed below are selected.

Closer options

Cylinder

- Delayed Action (DEL)

Cover

- Metal (MC)

Arm

- Hold-Open (H)
- Fusible Link, 165°F (FL)

Finish

- Custom Powder Coat (RAL) _____
(handed metal cover required)
- Plated Finish, US _____
(handed metal cover required)
- SRI primer (use with powder coat finishes only)

Screw Pack

- TB* & SRT Screw (TBSRT)
- Wood & Machine Screw (WMS)
- TB*, Wood & Machine Screw (TBWMS)
- TORX Machine Screw (TORX)
- TB* & TORX Machine Screw (TBTRX)
**Specify door thickness if other than 1-3/4".*

Installation Accessories

- Plate, 4010-18

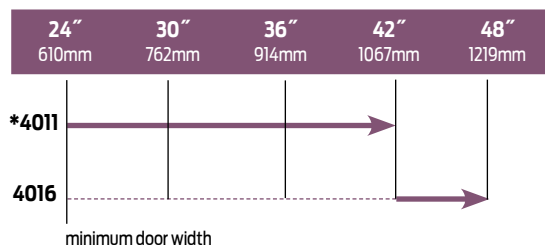
Special Template

- ST- _____

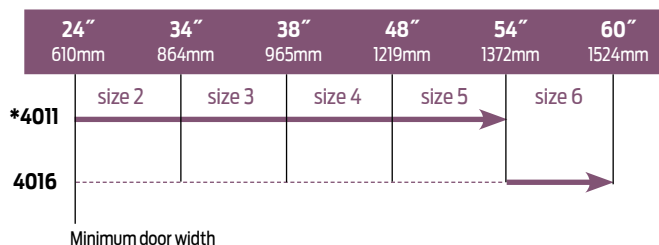
Table of sizes

- Select closer based on width of door
- The spring power of non-sized 4011 cylinder is adjustable from size 1 through size 5 and is shipped set to size 3
- Sized 4010 Series cylinders available in size 6
- Delayed action not available with 4016 cylinder

Exterior (and Vestibule) door width



Interior door width




→ Indicates recommended range of door width for closer size.
* Adjustable Size 1 thru 5.

Reduced opening force 4010 Series closers

CAUTION! Any manual door closer, including those certified by BHMA to conform to ANSI Standard A156.4, that is selected, installed and adjusted based on ADA or other reduced opening force requirements may not provide sufficient power to reliably close and latch a door.

Refer to POWER OPERATORS section for information on systems that meet reduced opening force requirements without effecting closing power.

	DOOR WIDTH	36"	42"	48"
	8.5* lbs.	4011	4011	4011
5.0* lbs.	4011	4011	4011	

* Maximum opening force.

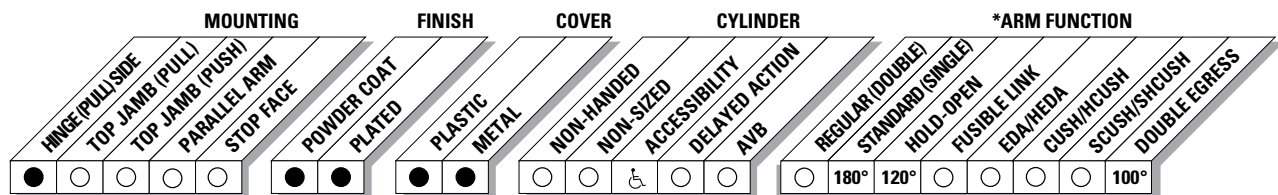


The 4010T is LCN's best performing heavy duty track closer designed specifically for interior doors in institutional and other rugged high traffic applications.

Certifications	Grade 1 - ANSI A156.4, UL 10C, ADA, 100 Hour Salt Spray, Meets BAA - Buy American Act	Cover	<ul style="list-style-type: none"> Plastic, Standard Metal, Optional
Body Construction	<ul style="list-style-type: none"> Cast Iron Body Full Complement Bearing 1-1/2" Diameter Piston 11/16" Diameter Double Heat Treated Pinion Journal 	Fasteners	Self Reaming and Tapping Screws (SRT)
Fluid	All Weather Fluid	Mounting	Hinge (Pull Side)
Handing	Handed	Arms	Standard Arm and Track with Roller
Templating	Peel-n-Stick templates - 2-1/2" x 6" Mounting Hole Pattern	Finishes/Colors/ Powder Coat	<ul style="list-style-type: none"> Aluminum (689) Statuary Bronze (690) Light Bronze (691) Black (693) Dark Bronze (695) Brass (696) Custom colors optional
Size	Sized 1, 3 or 4		<ul style="list-style-type: none"> Optional SRI primer - powder coat only Optional plated finishes
Warranty	30 years		

Special Templates

Customized installation templates or products may be available to solve unusual applications. Contact LCN Product Support for assistance.



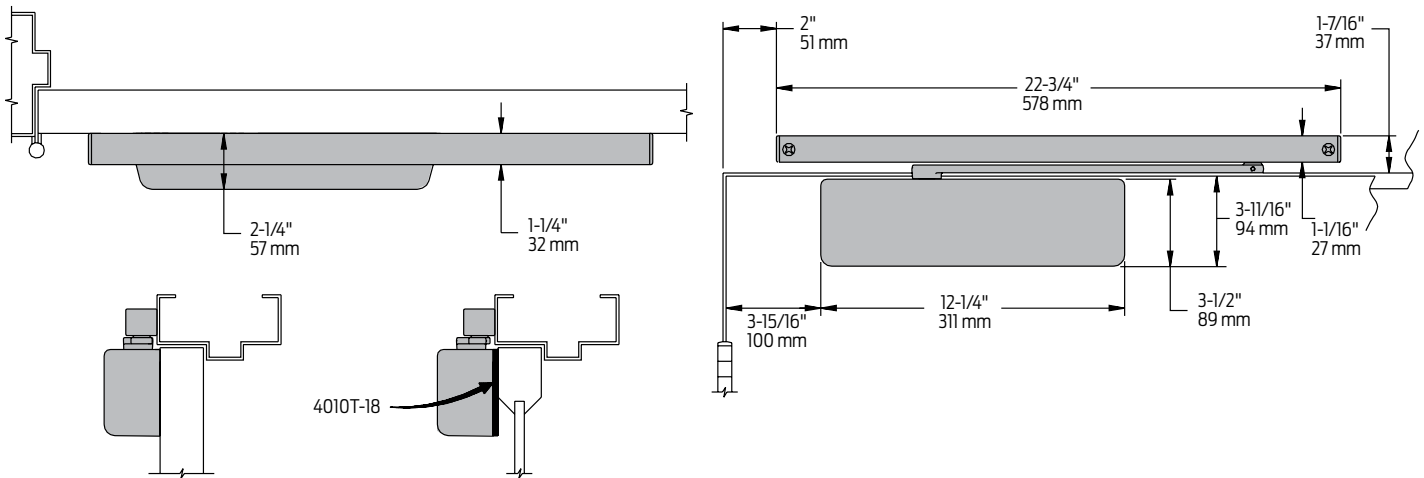
● AVAILABLE
○ NOT AVAILABLE

♿ Closer available with less than 5.0 lbs. Opening force @ 36"
* Maximum opening/hold-open point with standard template.

4010T Series

Mounting details

Hinge (Pull) Side Mounting

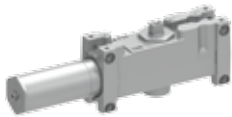


Butt Hinges	Should not exceed 5" (127 mm) in width
Auxiliary Stop	Recommended at hold-open point or where a door cannot swing 180° <i>Note: Optional track bumper assembly assists backcheck in cushioning the opening swing of the door. It is not intended to replace an auxiliary stop</i>
Reveal	<ul style="list-style-type: none"> Should not exceed 1/8" (3 mm) for standard arm Should not exceed 3-5/16" (84 mm) for double egress arm
Top Rail	<ul style="list-style-type: none"> Less than 3-3/4" (95 mm) requires PLATE, 4010T-18 <i>Note: Plate requires 2" (51 mm) minimum</i>
Head Frame	Requires 1-1/2" (38 mm) minimum
Clearance	<ul style="list-style-type: none"> 2-1/4" (57 mm) behind door required for 90° or 180° installation
Maximum Opening	<ul style="list-style-type: none"> Templating allows 180° with standard arm, limited to 120° when optional bumper is installed Consult factory if door will be held open at 180° Variable hold-open angles with infinite options

Notes:

- Many track style door closers are capable of allowing 180° of door swing
- The majority of track style closers are at their weakest closing force in the 180 – 130° range
- Consult factory for applications where door must swing 180°

Cylinders



4011T(3)(4)-3071
Cast Iron Cylinder Assembly

- Handed
- Standard

Covers



4010T-72
Plastic Cover

- Non-handed
- Standard



Right Hand Shown

4010T-72MC
Metal Cover

- Handed
- Required for plated finishes and custom powder coat finishes
- Optional

Arms



4010T-3077T
Standard Arm

- Handed
- Does not include track roller



4010T-3077DE
Double Egress Arm

- Handed
- For double egress doors and frames
- Does not include track roller
- Maximum reveal is 3 5/16" (84mm)
- Optional

Tracks



4010T-3038
Standard Track

- Non-handed
- Non hold-open
- Will accept hold-open clip and/or bumper assembly
- Standard



4010T-3038B
Standard Track with Bumper

- Non-handed
- Non hold-open
- With bumper assembly installed
- Will accept hold-open clip
- Optional



4010T-3038H
Hold-Open Track

- Non-handed
- With hold-open clip installed
- Will accept bumper assembly
- Optional



4010T-3038HB
Hold-Open Track with Bumper

- Non-handed
- With hold-open clip and bumper assembly installed
- Optional

Installation Accessories



4010T-18
Plate

- Required where top rail is less than 3-3/4" (95 mm)
- Requires minimum 2" (51 mm) top rail



4010T-169
Track Bumper

- Mounts in track to assist backcheck, does not replace auxiliary stop
- Limits maximum opening
- Consists of bumper, bumper post, and mounting screw



4010T-3054
Hold-Open Clip

- Mounts in track to provide hold-open function)
- Hold-open point controlled by clip location
- Consists of clip and mounting screws
- Requires 4010T-3034H Track Roller



4010T-3034
Track Roller

- Quiet, low friction roller assembly
- Shoulder dimension "X" = 1/16" (2mm)



4010T-3034H
Track Roller

- Quiet, low friction roller assembly
- Shoulder dimension "X" = 1/16" (2mm)
- Spring-loaded hold-open mechanism

How-to-order 4010T Series closers

1. Select cylinder size

- 4011T (ADA)
- 4013T
- 4014T

2. Specify hand

- RH
- LH

3. Select finish

- Standard Powder Coat _____
Aluminum, Dark Bronze, Statuary,
Light Bronze, Black, Brass.

Closer will be shipped with:

- Standard cylinder
- Standard cover
- Standard arm
- Track roller
- Standard track
- Self-reaming and tapping screws unless options listed below are selected.

Closer options

Cover

- Metal (MC)

Arm

- Double Egress (DE)**

Track

- Regular with Bumper (BUMPER)
- Hold-Open (HO)
- Hold-Open with Bumper (HBUMPER)

Finish

- Custom Powder Coat (RAL) _____
(handed metal cover required)
- Plated Finish, US _____
(handed metal cover required)
- SRI primer (use with powder coat finishes only)

Screw Pack

- TB* & SRT Screw (TBSRT)
- Wood & Machine Screw (WMS)
- TB*, Wood & Machine Screw (TBWMS)
- TORX Machine Screw (TORX)
- TB* & TORX Machine Screw (TBTRX)
* Specify door thickness if other than 1-3/4"

Installation Accessories

- Plate, 4010T-18

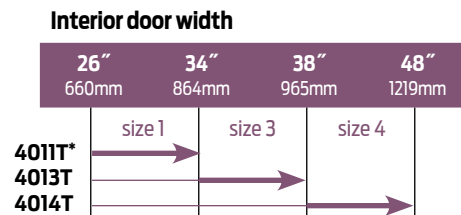
Special Template

- ST- _____

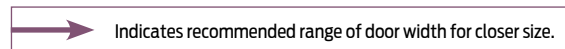
** Note: Using this closer on double-egress doors and frames requires the closer to be ordered with a "DE" suffix (i.e., 4014T DE). Standard "DE" option will accommodate pull side reveals up to 3-5/16". For deeper reveals, consult factory.

Table of sizes

- Select closer based on width of door
- Sized 4010T Series cylinders available in size 1, 3 or 4
- Closing power of all 4010T Series closers may be increased 15%



Minimum door width. To meet ADA, refer to chart below.




** Note: Using this closer on double-egress doors and frames requires the closer to be ordered with a "DE" suffix (i.e., 4014T DE). Standard "DE" option will accommodate pull side reveals up to 3-5/16". For deeper reveals, consult factory.

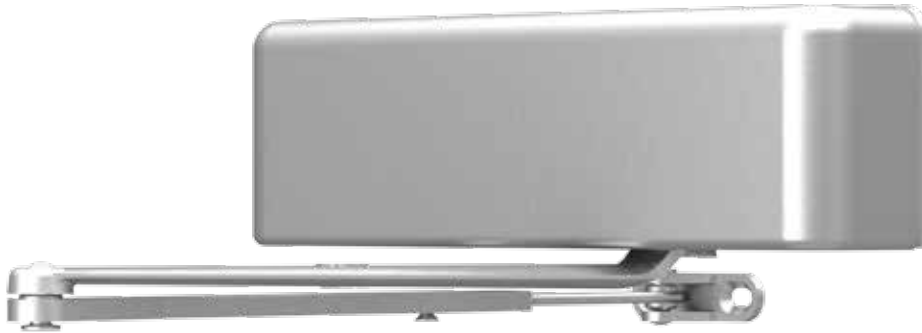
Reduced opening force 4010T Series closers

CAUTION! Any manual door closer, including those certified by BHMA to conform to ANSI Standard A156.4, that is selected, installed and adjusted based on ADA or other reduced opening force requirements may not provide sufficient power to reliably close and latch a door.

Refer to AUTOMATIC OPERATORS section for information on systems that meet reduced opening force requirements without effecting closing power.

	DOOR WIDTH	36"	42"	48"
	8.5* lbs.	N/A	N/A	N/A
	5.0* lbs.	4011T	4011T	4011T

* Maximum opening force.

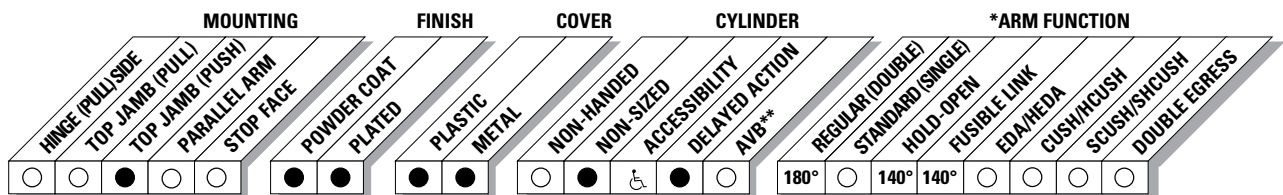


The 4020 is LCN's best performing heavy duty closer designed specifically for institutional and other rugged high traffic applications.

Certifications	Grade 1 - ANSI A156.4, UL 10C, ADA, 100 Hour Salt Spray, Meets BAA - Buy American Act	Cover	<ul style="list-style-type: none"> ■ Plastic, Standard ■ Metal, Optional
Body Construction	<ul style="list-style-type: none"> ■ Cast Iron Body ■ Full Complement Bearing ■ 1-1/2" Diameter Piston ■ 11/16" Diameter Double Heat Treated Pinion Journal 	Fasteners	Self Reaming and Tapping Screws (SRT)
Fluid	All Weather Fluid	Mounting	Top Jamb (Push Side)
Handing	Handed	Arms	Regular arm
Templating	Peel-n-Stick templates - 2-1-2" x 6" Mounting Hole Pattern	Finishes/Colors/ Powder Coat	<ul style="list-style-type: none"> ■ Aluminum (689) ■ Statuary Bronze (690) ■ Light Bronze (691) ■ Black (693) ■ Dark Bronze (695) ■ Brass (696) ■ Custom colors optional
Size	Adjustable 1-5 or Sized 6		<ul style="list-style-type: none"> ■ Optional SRI primer - powder coat only ■ Optional plated finishes
Warranty	30 years		

Special Templates

Customized installation templates or products may be available to solve unusual applications. Contact LCN Product Support for assistance.



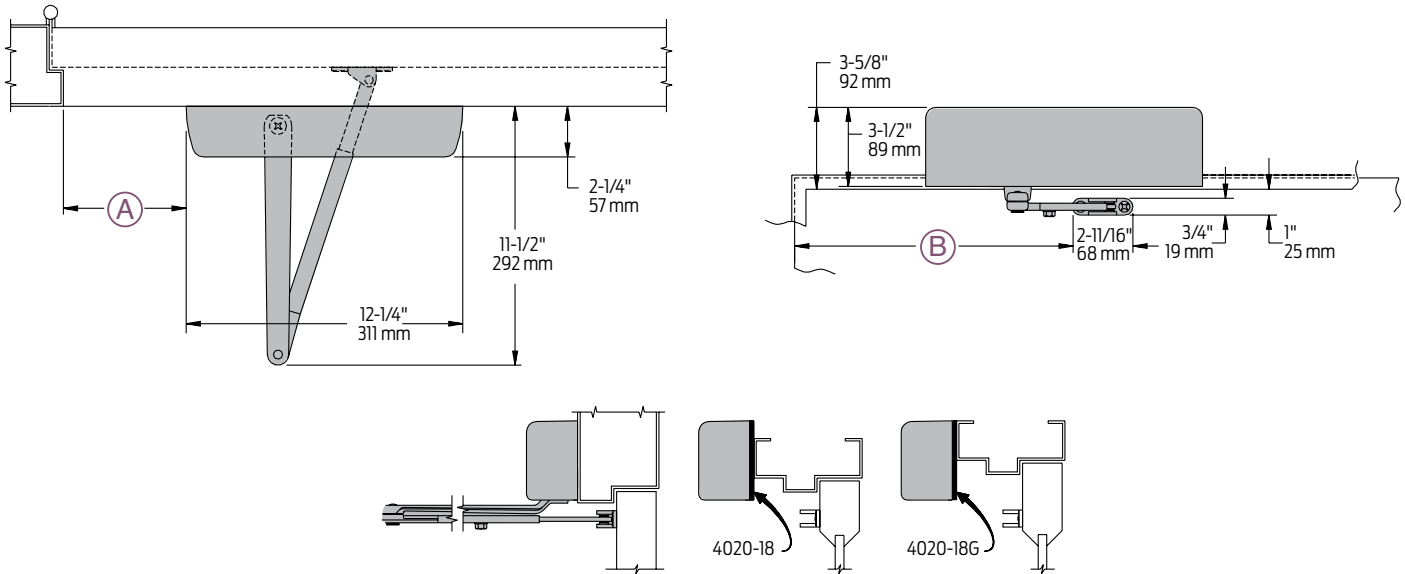
● AVAILABLE
○ NOT AVAILABLE

♿ Closer available with less than 5.0 lbs. opening force on 36" door.
* Maximum opening/hold-open point with standard template.
** Advanced Variable Backcheck.

4020 Series

Mounting details

Top Jamb (Push) Side Mounting

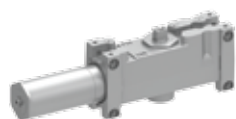


Butt Hinges	Should not exceed 5" (127 mm) in width												
Auxiliary Stop	Recommended at hold-open point or where the door cannot swing 180°												
Reveal	<ul style="list-style-type: none"> 2-9/16" (65 mm) allows 180° opening with regular arm 4-13/16" (122 mm) allows up to 140° opening with regular arm 8" (203 mm) allows up to 140° opening with LONG ARM where standard rod and shoe is replaced with optional long rod and shoe (4020-79LR) 												
Head Frame	Less than 3-7/16" (87 mm) requires PLATE, 4020-18 Use PLATE, 4020-18G for flush ceiling condition. Either plate requires 1-3/4" (44 mm) frame minimum.												
Top Rail	<ul style="list-style-type: none"> Requires minimum 1-1/2" (38 mm) Closer on 4020-18 plate requires 2" (51 mm) minimum Closer on 4020-18G plate requires 2-3/4" (70 mm) minimum 												
Delayed Action	<ul style="list-style-type: none"> Add suffix "DEL" to selected cylinder. Not available with 4026 cylinder Delays closing from maximum opening to approximately 75° Delay time adjustable up to approximately 1 minute 												
Maximum Opening	Can be templated for:												
	<table border="0"> <tr> <td>100°:</td> <td>A = 6" (152 mm)</td> <td>140°:</td> <td>A = 4" (102 mm)</td> <td>180°:</td> <td>A = 2" (51 mm)</td> </tr> <tr> <td></td> <td>B = 12 3/8" (314 mm)</td> <td></td> <td>B = 10 3/8" (264 mm)</td> <td></td> <td>B = 8 3/8" (213 mm)</td> </tr> </table>	100°:	A = 6" (152 mm)	140°:	A = 4" (102 mm)	180°:	A = 2" (51 mm)		B = 12 3/8" (314 mm)		B = 10 3/8" (264 mm)		B = 8 3/8" (213 mm)
100°:	A = 6" (152 mm)	140°:	A = 4" (102 mm)	180°:	A = 2" (51 mm)								
	B = 12 3/8" (314 mm)		B = 10 3/8" (264 mm)		B = 8 3/8" (213 mm)								

Notes:

- Hold-open points up to maximum opening or 140°, whichever is less, for hold-open or fusible link arm
- For hold-open beyond 140°, use 4110 Series closer

Cylinders



4021(6)-3071
Cast Iron Cylinder Assembly

- Handed
- Standard

Covers



Left Hand Shown

4020-72
Plastic Cover

- Handed
- Standard



Right Hand Shown

4020-72MC
Metal Cover

- Handed
- Required for plated finishes and custom powder coat finishes
- Optional

Arms



4020-3077
Regular Arm

- Non-handed



4020-3077L
Long Arm

- Non-handed
- Includes 4020-79LR for deep reveals. (see page 14 for allowable reveals)
- Optional



4020-3049
Hold-Open

- Handed
- Provides hold-open function, adjustable at elbow
- 5-3/4" (146 mm) maximum reveal, 140° hold open
- Optional



4020-3049FL
Fusible Link

- Handed
- Releases hold-open function, adjustable at shoe, when exposed to temperatures above 165° F
- 3-7/8" (98 mm) maximum reveal
- Optional

NOTE: Check local codes before specifying FL arms. NOT A life safety product!

Installation Accessories



4020-18
Plate

- Required where head frame is less than 3-7/16" (87 mm)
- Requires minimum 1-3/4" (44 mm) minimum head frame and 2" (51 mm) top rail
- 3-7/8" (98 mm) maximum reveal



4020-18G
Plate

- For flush ceiling condition
- Requires minimum 1-3/4" (44 mm) minimum head frame and 2-3/4" (70 mm) top rail

How-to-order 4020 Series closers

1. Select cylinder size

- 4021 (adjustable from size 1 to 5)
- 4026 (DEL not available)

2. Specify hand

- RH
- LH

3. Select finish

- Standard Powder Coat _____
Aluminum, Dark Bronze, Statuary,
Light Bronze, Black, Brass.

Closer will be shipped with:

- Standard cylinder
- Standard cover
- Regular arm
- Self-reaming and tapping screws unless options listed below are selected.

Closer options

Cylinder

- Delayed Action (DEL)

Cover

- Metal (MC)

Arm

- Hold-Open (H)
- Fusible Link, 165°F (FL)

Finish

- Custom Powder Coat (RAL) _____
(handed metal cover required)
- Plated Finish, US _____
(handed metal cover required)
- SRI primer (use with powder coat finishes only)

Screw Pack

- TB* & SRT Screw (TBSRT)
- Wood & Machine Screw (WMS)
- TB*, Wood & Machine Screw (TBWMS)
- TORX Machine Screw (TORX)
- TB* & TORX Machine Screw (TBTRX)
- * Specify door thickness if other than 1-3/4"

Installation Accessories

- Plate, 4020-18
- Plate, 4020-18G

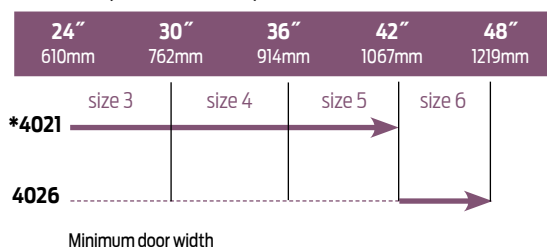
Special Template

- ST- _____

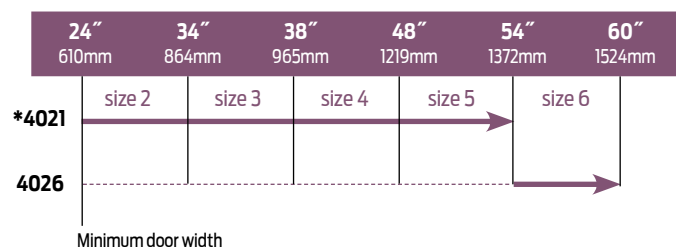
Table of sizes

- Select closer based on width of door
- The spring power of non-sized 4021 cylinder is adjustable from size 1 through size 5 and is shipped set to size 3
- Sized 4020 Series cylinders available in size 6
- Delayed action not available with 4026 cylinder

Exterior (and Vestibule) door width



Interior door width




→ Indicates recommended range of door width for closer size.
* Adjustable Size 1 thru 5.

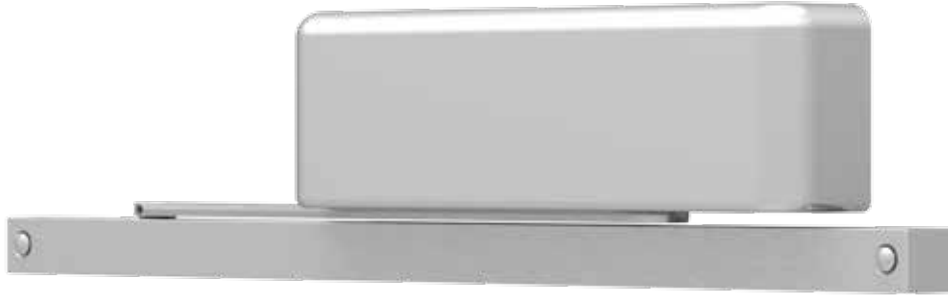
Reduced opening force 4020 Series closers

CAUTION! Any manual door closer, including those certified by BHMA to conform to ANSI Standard A156.4, that is selected, installed and adjusted based on ADA or other reduced opening force requirements may not provide sufficient power to reliably close and latch a door.

Refer to AUTOMATIC OPERATORS section for information on systems that meet reduced opening force requirements without effecting closing power.

	DOOR WIDTH	36"	42"	48"
	8.5* lbs.	4021	4021	4021
5.0* lbs.	4021	4021	4021	

* Maximum opening force.

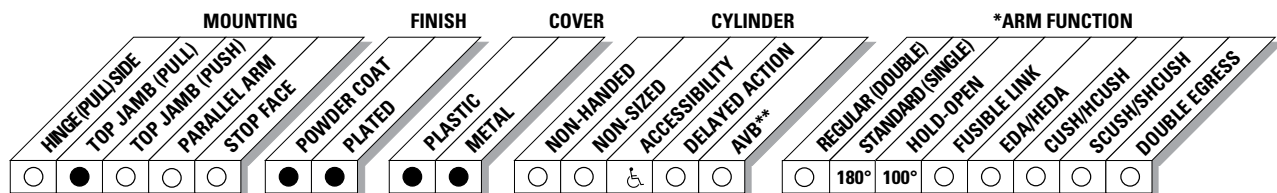


The 4020T is LCN's best performing heavy duty track closer designed specifically for interior doors in institutional and other high traffic applications.

Certifications	Grade 1 - ANSI A156.4, UL 10C, ADA, 100 Hour Salt Spray, Meets BAA - Buy American Act	Cover	<ul style="list-style-type: none"> ■ Plastic, Standard ■ Metal, Optional
Body Construction	<ul style="list-style-type: none"> ■ Cast Iron Body ■ Full Complement Bearing ■ 1-1/2" Diameter Piston ■ 11/16" Diameter Double Heat Treated Pinion Journal 	Fasteners	Self Reaming and Tapping Screws (SRT)
Fluid	All Weather Fluid	Mounting	Top Jamb (Pull Side)
Handing	Handed	Arms	Standard arm, track with roller
Templating	Peel-n-Stick templates - 2-1/2" x 6" Mounting Hole Pattern	Finishes/Colors/ Powder Coat	<ul style="list-style-type: none"> ■ Aluminum (689) ■ Statuary Bronze (690) ■ Light Bronze (691) ■ Black (693) ■ Dark Bronze (695) ■ Brass (696) ■ Custom colors optional
Size	Sized 1, 3 or 4		<ul style="list-style-type: none"> ■ Optional SRI primer - powder coat only ■ Optional plated finishes
Warranty	30 years		

Special Templates

Customized installation templates or products may be available to solve unusual applications. Contact LCN Product Support for assistance.



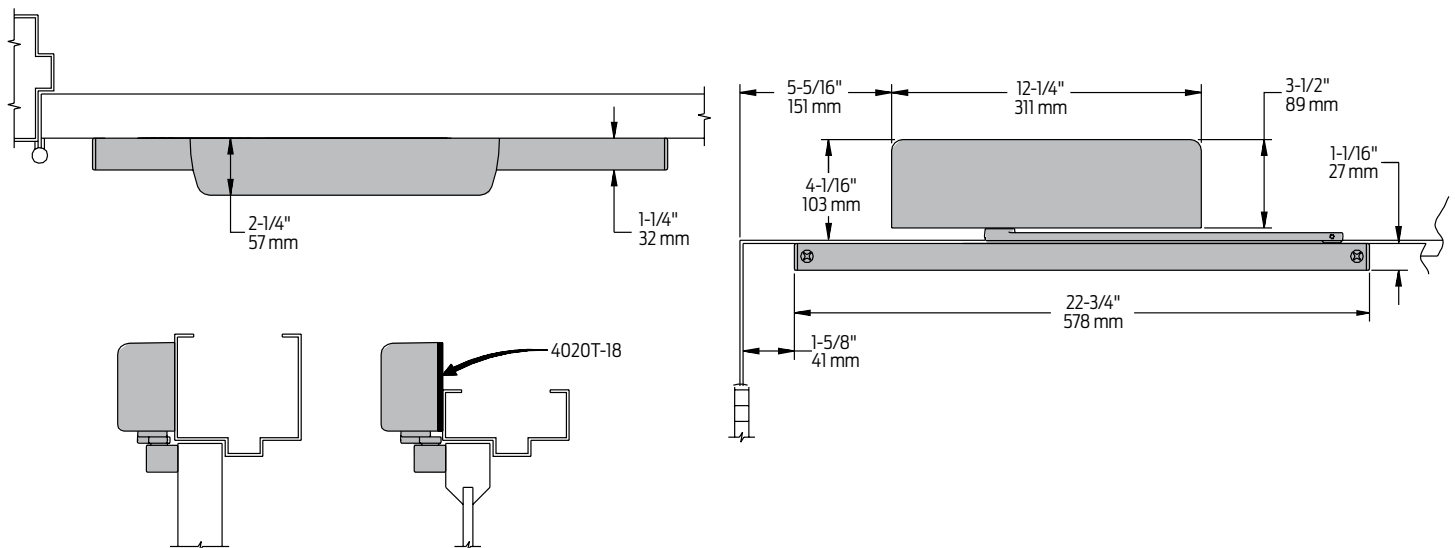
● AVAILABLE
○ NOT AVAILABLE

♿ Closer available with less than 5.0 lbs. opening force on 36" door.
* Maximum opening/hold-open point with standard template.
** Advanced Variable Backcheck.

4020T Series

Mounting details

Top Jamb (Pull Side) Mounting

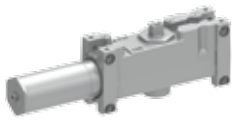


Butt Hinges	Should not exceed 5" (127 mm) in width
Auxiliary Stop	Recommended at hold-open point or where a door cannot swing 180° <i>Note: Optional track bumper assembly assists backcheck in cushioning the opening swing of the door. It is not intended to replace an auxiliary stop</i>
Reveal	Should not exceed 1/8" (3 mm)
Head Frame	<ul style="list-style-type: none"> ■ Less than 3-7/8" (98 mm), requires PLATE, 4020T-18 ■ Plate requires 1-3/4" (44 mm) minimum
Clearance	1-1/2" (38 mm) behind door required for 90° or 180° installation
Maximum Opening	<ul style="list-style-type: none"> ■ Templating allows 180° with standard track arm, limited to 100° with optional bumper installed ■ Consult factory if door will be held open at 180° ■ Variable hold-open angles with infinite options

Notes:

- Many track style door closers are capable of allowing 180° of door swing
- The majority of track style closers are at their weakest closing force in the 180° – 130° range
- Consult factory for applications where door must swing 180°

Cylinders



4021T(3)(4)-3071
Cast Iron Cylinder Assembly

- Handed
- Standard

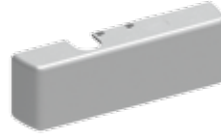
Covers



Right Hand Shown

4020T-72
Plastic Cover

- Handed
- Standard



Left Hand Shown

4020T-72MC
Metal Cover

- Handed
- Required for plated finishes and custom powder coat finishes
- Optional

Arms



4020T-3077T
Standard Arm

- Handed
- Roller not included with arm

Tracks



4020T-3038
Standard Track

- Non-handed
- Non hold-open
- Will accept hold-open clip and/or bumper assembly
- Standard



4020T-3038B
Standard Track with Bumper

- Non-handed
- Non hold-open
- With bumper assembly installed
- Will accept hold-open clip
- Optional



4020T-3038H
Hold-Open Track

- Non-handed
- With hold-open clip installed
- Will accept bumper assembly
- Optional



4020T-3038HB
Hold-Open Track with Bumper

- Non-handed
- With hold-open clip and bumper assembly installed
- Optional

Installation Accessories



4020T-18
Plate

- Required where head frame is less than 3-7/8" (98 mm)
- Requires minimum 1-3/4" (44 mm) frame face



4020T-169
Track Bumper

- Mounts in track to assist backcheck, does not replace auxiliary stop
- Limits maximum opening
- Consists of bumper, bumper post, and mounting screw



4020T-3054
Hold-Open Clip

- Mounts in track to provide hold-open function
- Hold-open point controlled by clip location
- Consists of clip and mounting screws
- Requires 4020T-3034H Track Roller



4020T-3034
Track Roller

- Quiet, low friction roller assembly
- Shoulder dimension "X" = 1/16" (2mm)



4020T-3034H
Track Roller

- Quiet, low friction roller assembly
- Shoulder dimension "X" = 1/16" (2mm)
- Spring-loaded hold-open mechanism

How-to-order 4020T Series closers

1. Select cylinder size

- 4021T (ADA)
- 4023T
- 4024T

2. Specify hand

- RH
- LH

3. Select finish

- Standard Powder Coat _____
Aluminum, Dark Bronze, Statuary,
Light Bronze, Black, Brass.

Closer will be shipped with:

- Standard cylinder
- Standard cover
- Standard arm
- Track roller
- Standard track
- Self-reaming and tapping screws unless options listed below are selected.

Closer options

Cover

- Metal (MC)

Track

- Standard with Bumper (BUMPER)
 - Hold-Open (HO)
 - Hold-Open with Bumper (HBUMPER)

Finish

- Custom Powder Coat (RAL) _____
(handed metal cover required)
- Plated Finish, US _____
(handed metal cover required)
- SRI primer (use with powder coat finishes only)

Screw Pack

- TB* & SRT Screw (TBSRT)
- Wood & Machine Screw (WMS)
- TB*, Wood & Machine Screw (TBWMS)
- TORX Machine Screw (TORX)
- TB* & TORX Machine Screw (TBTRX)
* Specify door thickness if other than 1-3/4"

Installation Accessories

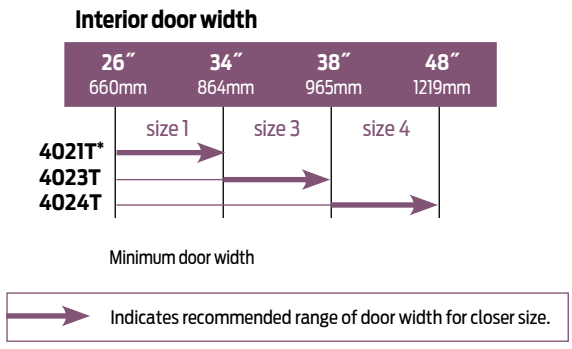
- Plate, 4010T-18

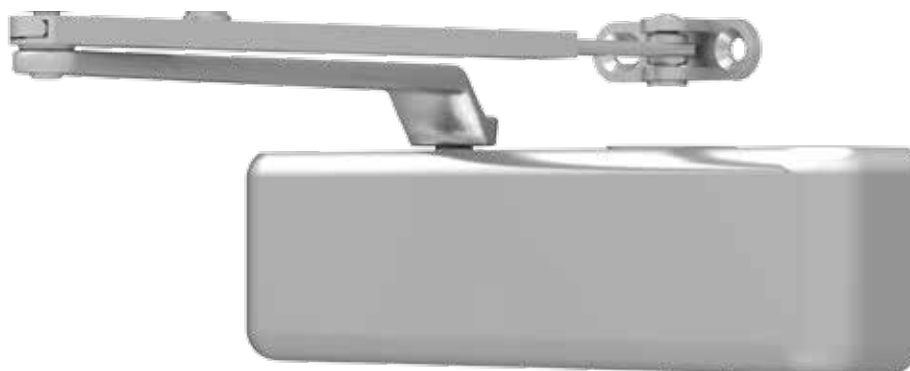
Special Template

- ST- _____

Table of sizes

- Select closer based on width of door
- 4020T Series cylinders available in size 1, 3 or 4
- Closing power of all 4020T Series closers may be increased 15%
- Specify next higher size closer where strong drafts exist



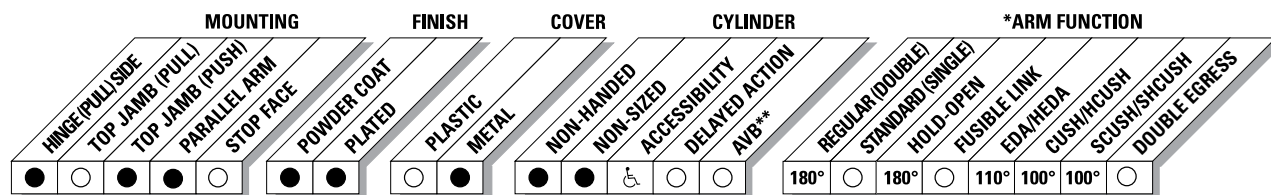


The 4030 is a cast iron, universal closer designed specifically for doors in moderate traffic conditions. This versatile closer compliments the rest of the heavy duty 4000 Series and offers the choice of three mountings and multiple arm options.

Certifications	Grade 1 - ANSI A156.4, UL 10C, ADA, 100 Hour Salt Spray, Meets BAA - Buy American Act	Cover	Metal, Standard
Body Construction	<ul style="list-style-type: none"> ■ Cast Iron Body ■ Full Complement Bearing ■ 1-1/8" Diameter Piston ■ 1/2" Diameter Single Heat Treated Pinion Journal 	Fasteners	Self Reaming and Tapping Screws (SRT)
Fluid	All Weather Fluid	Mounting	Hinge (Pull Side), Top Jamb (Push Side), Parallel Arm (Push Side)
Handing	Non-Handed	Arms	Regular arm
Templating	Peel-n-Stick templates - 1-23/32" x 6-17/16" Mounting Hole Pattern	Finishes/Colors/Powder Coat	<ul style="list-style-type: none"> ■ Aluminum (689) ■ Statuary Bronze (690) ■ Light Bronze (691) ■ Black (693) ■ Dark Bronze (695) ■ Brass (696) ■ Custom colors optional
Size	Adjustable Spring Size 1-4		<ul style="list-style-type: none"> ■ Optional SRI primer - powder coat only ■ Optional plated finishes
Warranty	30 years		

Special Templates

Customized installation templates or products may be available to solve unusual applications. Contact LCN Product Support for assistance.



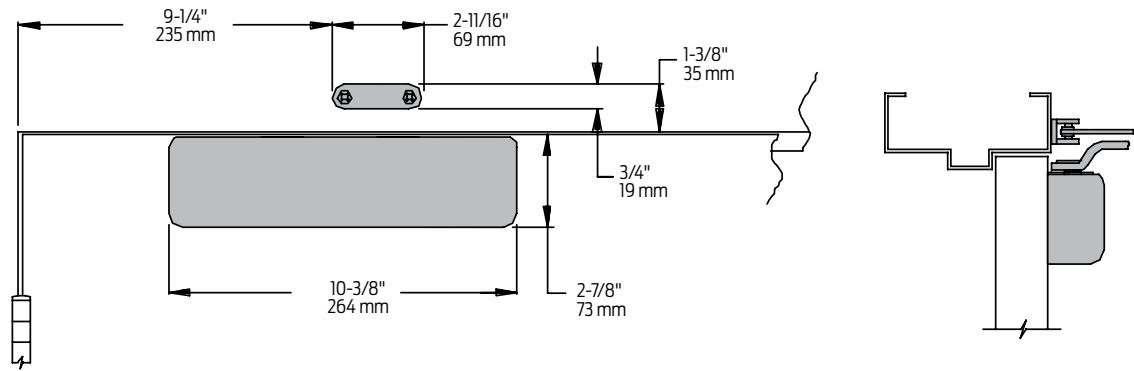
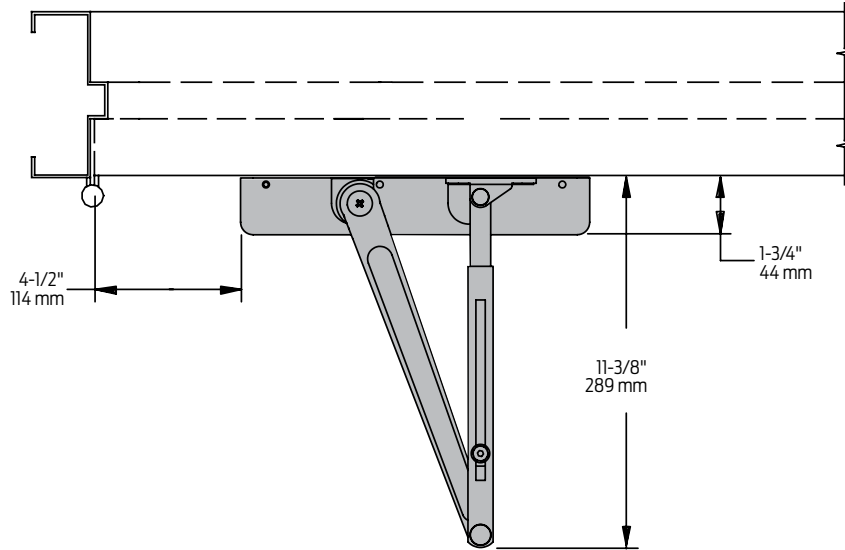
● AVAILABLE
○ NOT AVAILABLE

♿ Closer available with less than 5.0 lbs. opening force on 36" door.
* Maximum opening/hold-open point with standard template. See individual closer series for degrees of opening per installation.
** Advanced Variable Backcheck

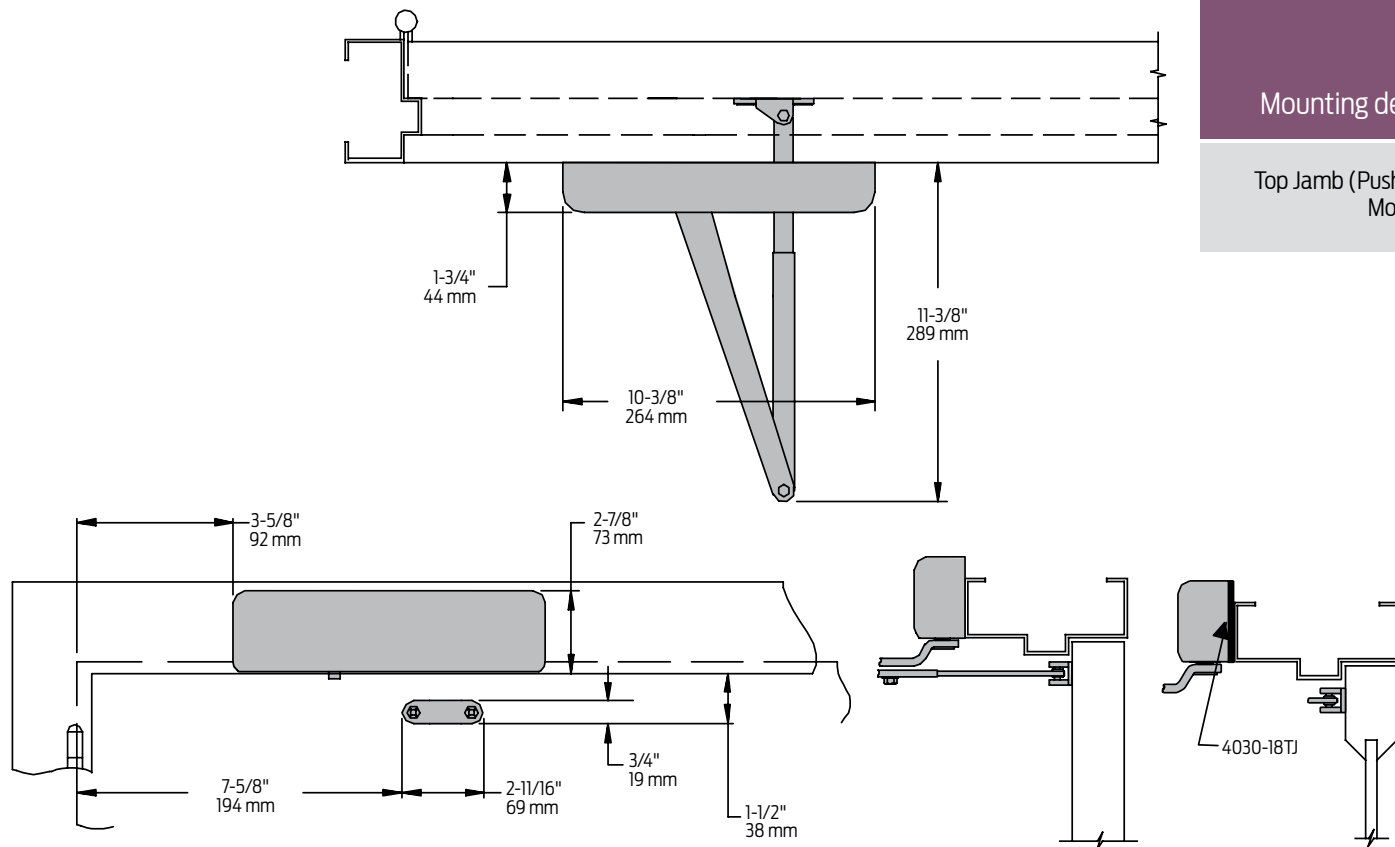
4030 Series

Mounting details

Hinge (Pull) Side Mounting



Butt Hinges	Should not exceed 5" (127 mm) in width
Auxiliary Stop	Recommended at hold-open point or where a door cannot swing 180°
Reveal	Should not exceed 3/16" (5 mm) for regular arm or 3/16" (5 mm) for hold-open arm
Top Rail	Requires 2-7/8" (73 mm) minimum
Clearance	1-3/4" (44 mm), behind door required for installation
Maximum Opening	<ul style="list-style-type: none"> ■ Can be templated for 180° ■ Hold-open points up to maximum opening with hold-open arm



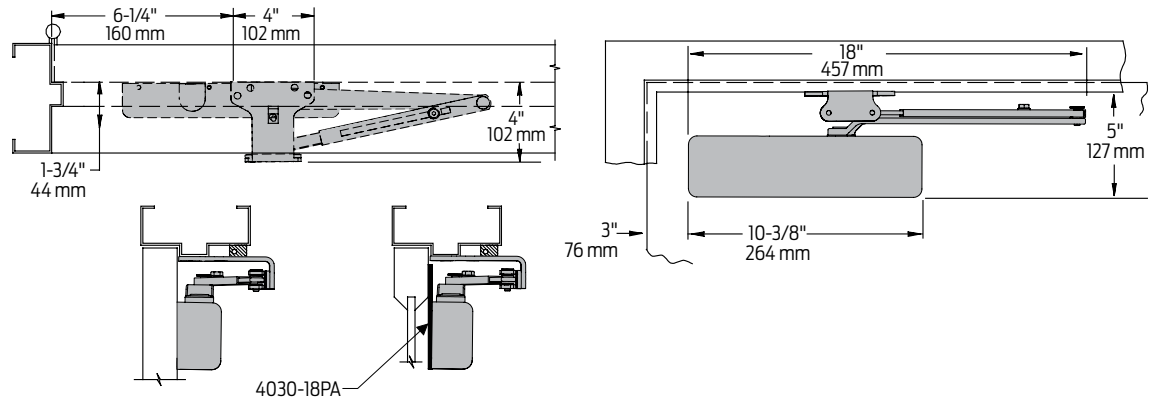
Butt Hinges	Should not exceed 5" (127 mm) in width
Auxiliary Stop	Recommended at hold-open point or where the door cannot swing 180°
Reveal	<ul style="list-style-type: none"> ■ up to 3-1/2" (89 mm) allows 180° opening ■ up to 7-1/2" (191 mm) with long arm allows for 140° opening
Top Rail	Requires 1-1/2" (38 mm) minimum from stop
Head Frame	<ul style="list-style-type: none"> ■ Less than 2-1/4" (57 mm) requires PLATE, 4030-18TJ ■ Plate requires 1-1/2" (38 mm) minimum
Maximum Opening	<ul style="list-style-type: none"> ■ Can be templated for 180° ■ Hold-open points up to maximum opening with hold-open arm

4030 Series

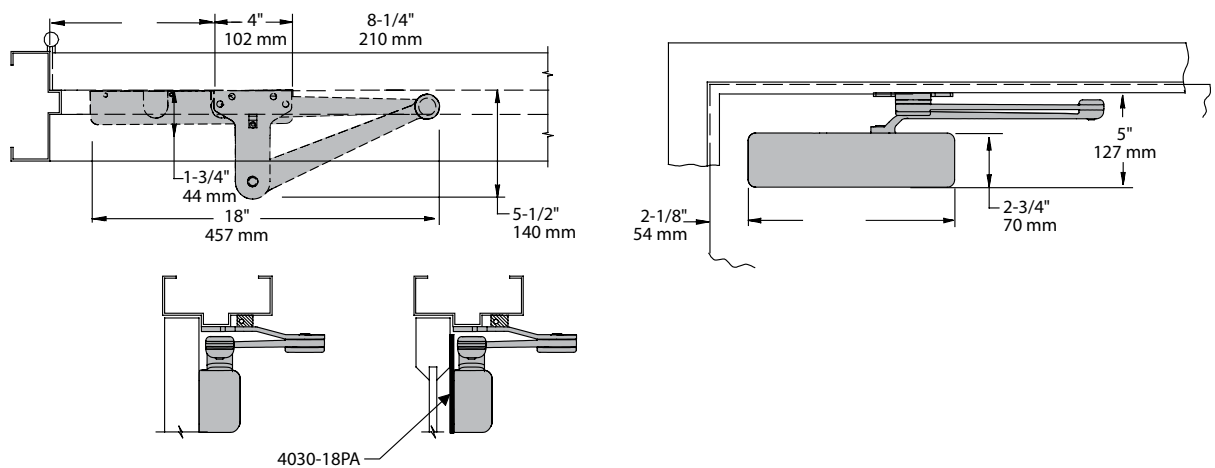
Mounting details

Parallel arm (Push Side) and EDA mounting

Parallel arm mount



EDA mount

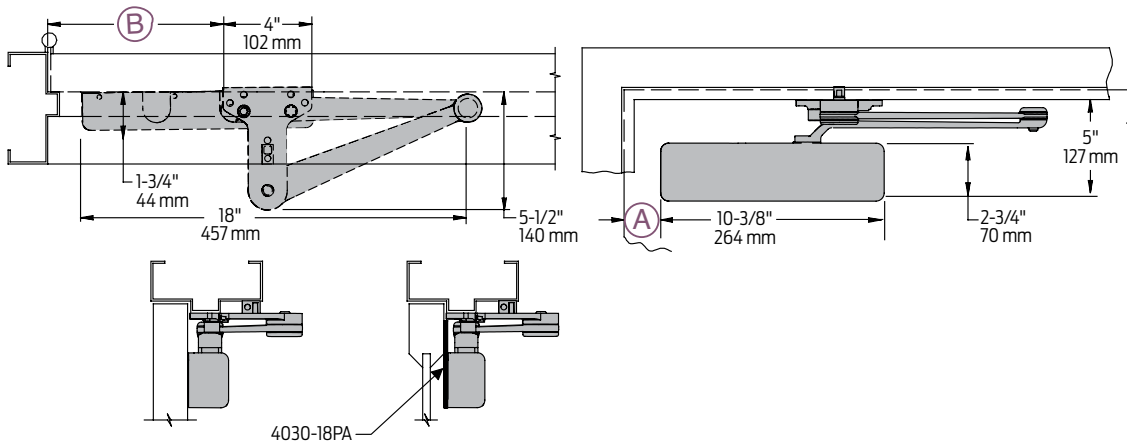


Butt Hinges	Should not exceed 5" (127 mm) in width
Auxiliary Stop	Recommended at hold-open point or where a door cannot swing maximum opening
Clearance	<ul style="list-style-type: none"> For 4030-62PA shoe is 4" (102 mm) from door face EDA arm is 5-1/2" (140 mm) from door face
Top Rail	<ul style="list-style-type: none"> Less than 5" (127 mm) measured from the stop requires PLATE, 4030-18PA Plate requires 1-3/4" (44 mm) minimum
Stop Width	Minimum 1" (25 mm)
Head Frame	Flush or single rabbeted requires PA SHOE ADAPTER, 4030-419
Blade Stop	Clearance, requires 1/2" (13 mm) BLADE STOP SPACER, 4030-61
Auxiliary Shoe	<ul style="list-style-type: none"> 4030-62A allows installation of regular arm with overhead holder/stop Special templating required
EDA Arm	Requires SHOE SUPPORT, 4030-30 for fifth screw anchorage where reveal is less than 3-1/16" (78 mm)
Maximum Opening	<ul style="list-style-type: none"> REGULAR or HOLD-OPEN arms can be templated for 180° EDA template allows 110° maximum opening Hold-open points up to maximum opening with hold-open arm

Notes:

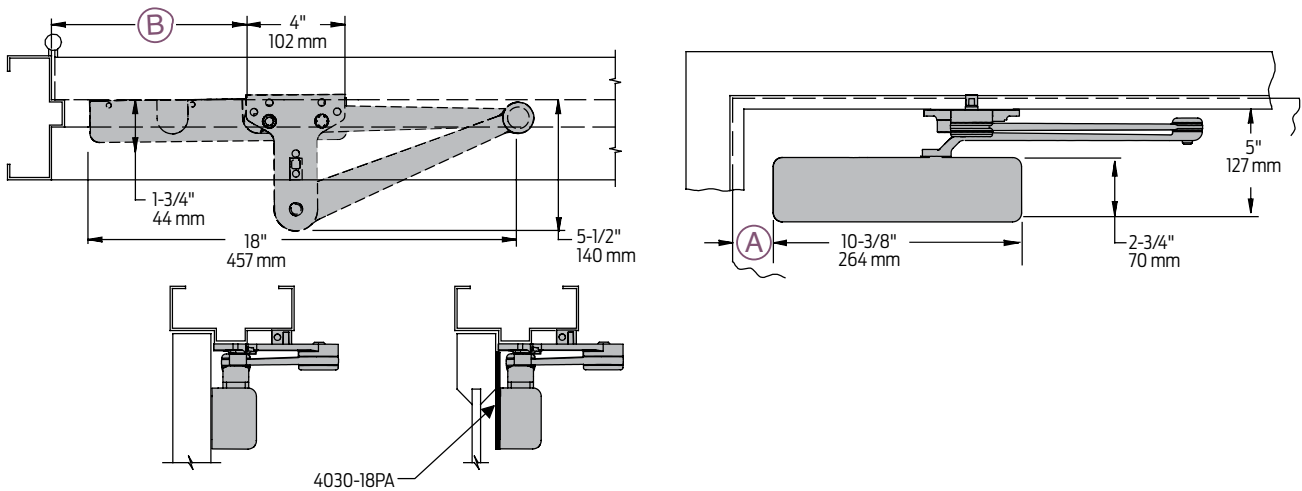
- 4030 closers ordered with EDA arms include 4030-201 FIFTH HOLE SPACER to support the shoe
- REGULAR or HOLD-OPEN arm mounting requires PA SHOE, 4030-62PA for regular or HOLD-OPEN arms. Add prefix "P" to closer description (eg. P4031.)
- P4031 closer includes 4030-201 FIFTH HOLE SPACER to support PA SHOE

CUSH mount



Spring CUSH mount

Spring Cush dead stop points are approximately 5° greater than templated stop point.



Clearance	For CUSH or SPRING CUSH shoe is 5-1/2" (140 mm) from door face		
Head Frame	Flush or rabbeted requires CUSH FLUSH PANEL ADAPTER, 4030-419		
CUSH or Spring CUSH ARM	Requires SHOE SUPPORT, 4030-30 for fifth screw anchorage where reveal is less than 3-1/16" (78 mm)		
Maximum opening	CUSH and SPRING CUSH arms can be templated for maximum opening/hold-open point at:		
	85°: A = 3-5/8 (92 mm) B = 9-3/4" (248 mm)	90°: A = 3" (76 mm) B = 9-1/8" (232 mm)	100°*: A = 1-7/8" (48 mm) B = 8" (203 mm)

*100° mounting will not work with swing clear hinges.

Note:

- 4031 closers ordered with CUSH or SPRING CUSH arms include 4030-201 FIFTH HOLE SPACER to support the shoe

Cylinders



4031-3071
Cast Iron Cylinder Assembly

- Non-handed
- Standard

Covers



4030-72MC
Metal Cover

- Non-handed
- Standard

Installation Accessories



4030-18TJ
Plate

- Required for top jamb mounting where head frame is less than 2-1/4" (57 mm) or flush ceiling condition exists
- Requires 1-1/2" (38 mm) minimum



4030-18PA
Plate

- Required for parallel arm mounting where top rail is less than 5" (127 mm), measured from the stop
- Requires 1-3/4" (44 mm) minimum



4030-30
CUSH Shoe Support

- Provide anchorage for fifth screw used with CUSH arms where reveal is less than 3-1/16" (78 mm)



4030-61
Blade Stop Spacer

- Lowers parallel arm shoe to clear 1/2" (13 mm) blade stop



4030-62A
Auxiliary Shoe

- Requires a top rail of 7" (178 mm)
- Replaces -62PA for parallel arm mounting of regular arm with some overhead holder/stop
- Optional



4030-419
PA Flush Panel Adapter

- Provides horizontal mounting surface for PA or CUSH shoe on single rabbeted or flush frame



4030-62PA
PA Shoe

- Required for parallel arm mounting

Arms



4030-3077
Regular Arm

- Non-handed
- Mounts hinge side or top jamb
- P4031 closer includes PA SHOE, 4030-62PA is required for parallel arm mounting



4030-3077LD
Light Duty Arm

- Non-handed
- Mounts hinge side, top jamb or parallel arm (62PA required)
- Optional



4030-3077L
Long Arm

- Non-handed
- Includes LONG ROD AND SHOE, 4030-79LR for top jamb mount with deep reveals
- Optional



4030-3049
Hold-Open Arm

- Non-handed
- Mounts hinge side, top jamb or parallel arm (62PA required)
- Hold-open adjustable at shoe
- Optional



4030-3049L
Long Hold-Open Arm

- Non-handed
- Includes LONG HEAD AND TUBE, 4030-3048L for top jamb mount with deep reveals
- Optional



4030-3077EDA
Extra Duty Arm

- Non-handed
- Extra duty arm features solid forged steel main and forearm for potentially abusive installations
- Optional



4030-3049EDA
Hold-Open EDA Arm

- Handed
- Arm, provides hold-open function adjustable at shoe
- Optional



4030-3077CNS
Cush-n-Stop® Arm

- Non-handed
- Solid forged steel main arm and forearm with stop in soffit shoe
- Optional



4030-3049CNS
Hold-Open CUSH Arm

- Non-handed
- Provides hold-open function with templated stop/hold-open points
- Handle controls hold-open function
- Optional



4030-3077SCNS
Spring CUSH Arm

- Non-handed
- For abusive applications
- Features solid forged steel main arm and forearm with spring loaded stop in the soffit shoe
- Optional



4030-3049SCNS
Spring HCUSH Arm

- Non-handed
- For abusive applications
- Features solid forged steel main arm and forearm with spring loaded stop in the soffit shoe
- Handle controls hold-open function
- Optional

How-to-order 4030 Series closers

1. Select finish

- Standard Powder Coat _____
Aluminum, Dark Bronze, Statuary,
Light Bronze, Black, Brass.

Closer options

Finish

- Custom Powder Coat (RAL) _____
- Plated Finish, US _____
- SRI primer (use with powder coat finishes only)

Arm

- Regular w/62PA (Rw/PA)
- Regular w/62A (R/62A)
- Long (LONG)
- Hold-Open (H)
- Hold-Open w/62PA (Hw/PA)
- Long Hold-Open (HLONG)
- Light Duty (LD)
- Light Duty w/62A (LD/62A)
- Light Duty w/62PA (LD/PA)
- Light Duty Long (LDL)
- EDA
- HEDA (specify right or left hand)
- Cush-N-Stop (CUSH)
- HCush-N-Stop (HCUSH)
- Spring Cush (SCUSH)
- Spring HCush (SHCUSH)

Optional Screw Packs

- TB*, Wood & Machine Screw (TBWMS)
* Specify door thickness if other than 1-3/4".

Installation Accessories

- Plate, 4030-18TJ
- Plate, 4030-18PA
- CUSH Shoe Support, 4030-30
- Blade Stop Spacer, 4030-61
- Auxiliary Shoe, 4030-62A
- PA Flush Panel Adapter, 4030-419

Special Template

- ST- _____

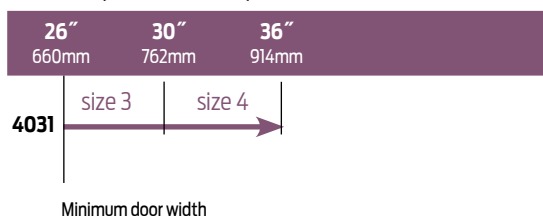
Closer will be shipped with:

- Standard cylinder
- Standard metal cover
- Regular arm
- Wood and self-tapping machine screw pack unless options listed below are selected.

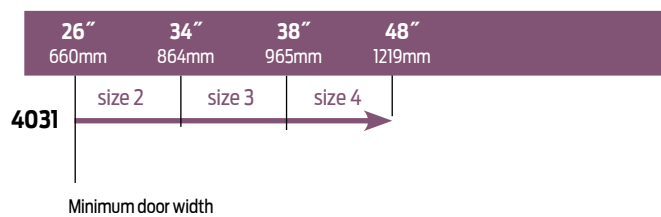
Table of sizes

- Non-sized 4031 cylinder is adjustable from sizes 1 to 4 and is shipped set to size 3.

Exterior (and Vestibule) door width



Interior door width



→ Indicates recommended range of door width for closer size.

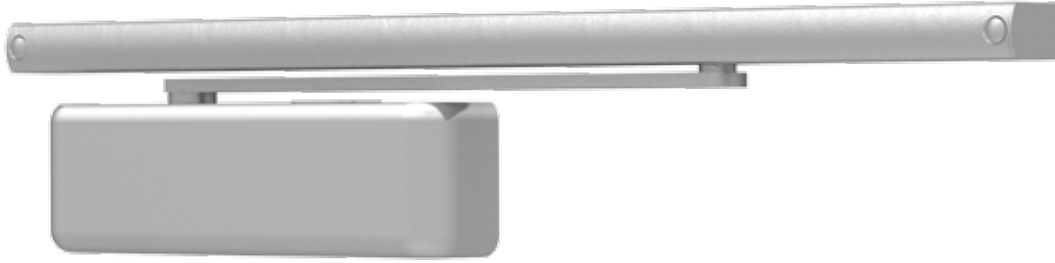
Reduced opening force 4030 Series closers

CAUTION! Any manual door closer, including those certified by BHMA to conform to ANSI Standard A156.4, that is selected, installed and adjusted based on ADA or other reduced opening force requirements may not provide sufficient power to reliably close and latch a door.

Refer to AUTOMATIC OPERATORS section for information on systems that meet reduced opening force requirements without effecting closing power.

	DOOR WIDTH	36"	42"	48"
	8.5* lbs.	4031	4031	4031
	5.0* lbs.	4031	4031	4031

* Maximum opening force.

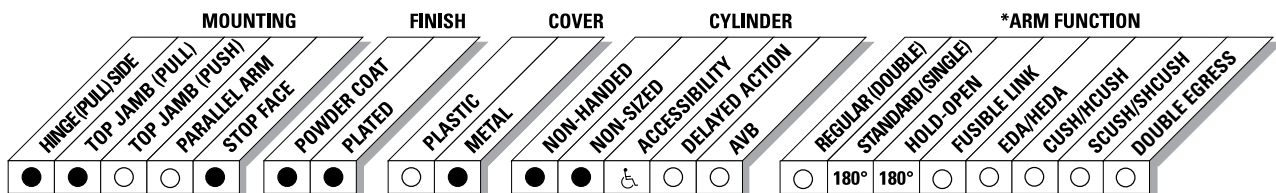


The 4030T is a single lever (track) arm, surface mounted closer designed for interior use on narrow head frames and top rails. The choice of three mountings and ease of installation offer a versatile solution to door control in moderate traffic applications. The 4030T compliments the heavy duty 4000 Series.

Certifications	Grade 1 - ANSI A156.4, UL 10C, ADA, 100 Hour Salt Spray, Meets BAA - Buy American Act	Cover	Metal, Standard
Body Construction	<ul style="list-style-type: none"> ■ Cast Iron Body ■ Full Complement Bearing ■ 1-1/8" Diameter Piston ■ 1/2" Diameter Single Heat Treated Pinion Journal 	Fasteners	Self Reaming and Tapping Screws (SRT)
Fluid	All Weather Fluid	Mounting	Pull side on door, pull side on frame and push side on door
Handing	Non-Handed	Arms	Standard arm and track
Size	Adjustable Spring Size 1-3	Finishes/Colors/Powder Coat	<ul style="list-style-type: none"> ■ Aluminum (689) ■ Statuary Bronze (690) ■ Light Bronze (691) ■ Black (693) ■ Dark Bronze (695) ■ Brass (696) ■ Custom colors optional
Warranty	30 years		<ul style="list-style-type: none"> ■ Optional SRI primer - powder coat only ■ Optional plated finishes

Special Templates

Customized installation templates or products may be available to solve unusual applications. Contact LCN Product Support for assistance.



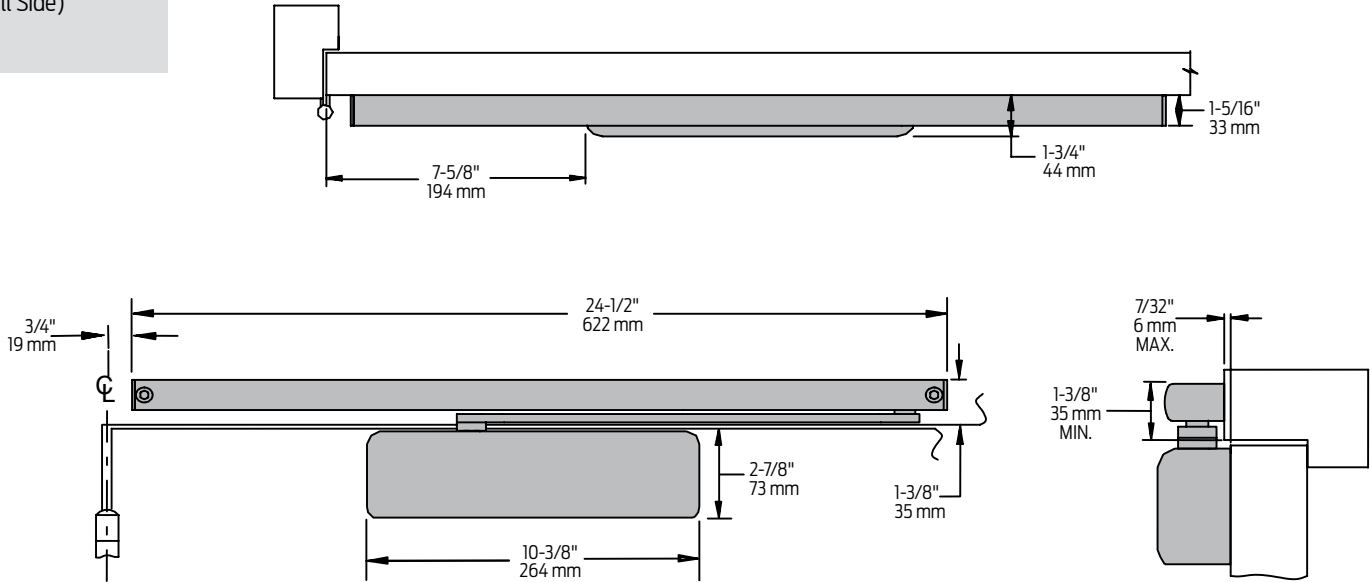
● AVAILABLE
○ NOT AVAILABLE

♿ Closer available with less than 5.0 lbs. opening force on 36" door.
* Maximum opening/hold-open point with standard template. See individual closer series for degrees of opening per installation.

4030T Series

Mounting details

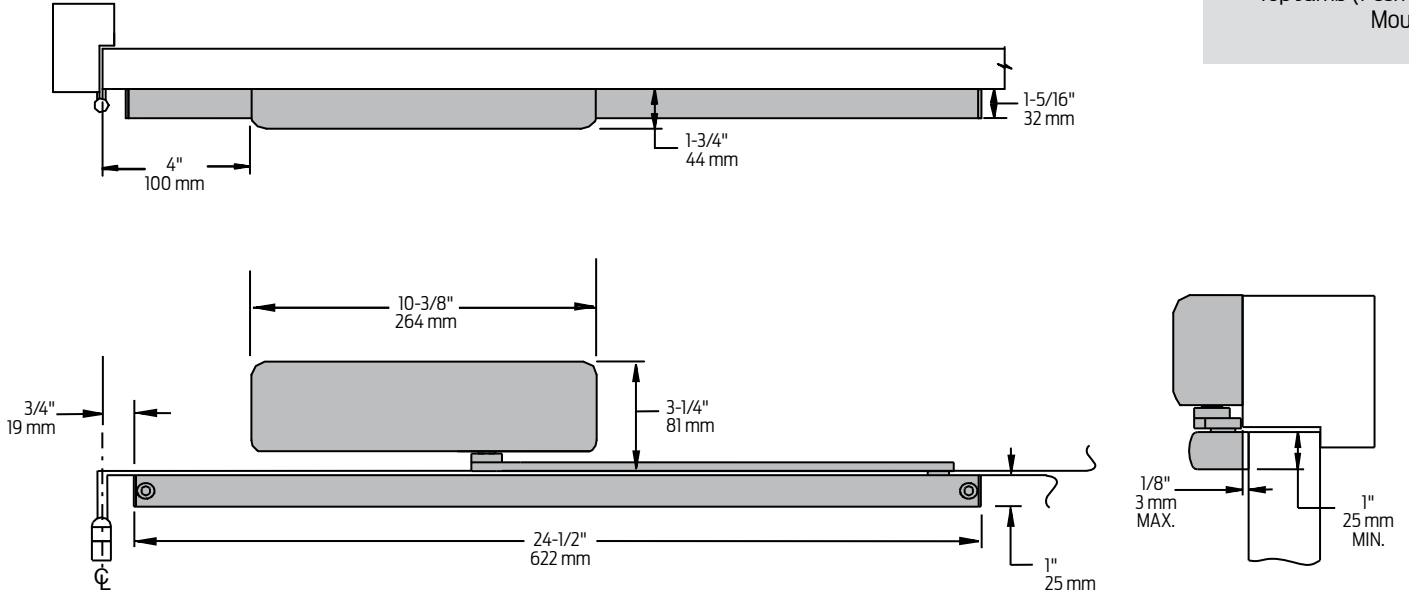
Hinge (Pull Side) Mounting



Butt Hinges	Should not exceed 5" (127 mm) in width
Auxiliary Stop	Recommended at hold-open point or where a door cannot swing 180°
Reveal	Should not exceed 7/32" (6 mm)
Top Rail	Requires 2-7/8" (73 mm) minimum
Clearance	1-3/4" (44 mm), behind door required for installation
Maximum Opening	<ul style="list-style-type: none"> ■ Can be templated for 180° ■ Consult factory if door will be held open at 180° ■ Hold-open points up to maximum opening point with hold-open option

Notes:

- Many track style door closers are capable of allowing 180° of door swing.
- The majority of track style closers are at their weakest closing force in the 180°-130° range.
- Consult factory for applications where door must swing 180°.



Butt Hinges	Should not exceed 5" (127 mm) in width
Auxiliary Stop	Recommended at hold-open point or where the door cannot swing 180°
Reveal	Should not exceed 1/8" (3 mm)
Top Rail	Requires 1" (25 mm) minimum
Head Frame	Requires 2-7/8" (73 mm) minimum
Maximum Opening	<ul style="list-style-type: none"> ■ Can be templated for 180° ■ Consult factory if door will be held open at 180° ■ Hold-open points up to Maximum opening point with hold-open option

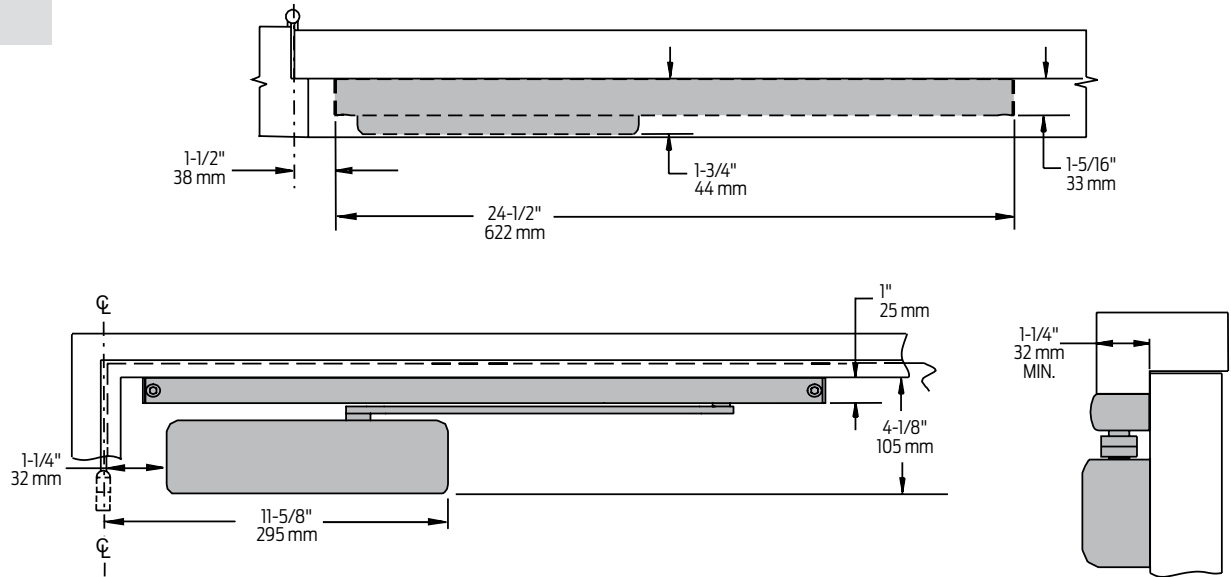
Notes:

- Many track style door closers are capable of allowing 180° of door swing.
- The majority of track style closers are at their weakest closing force in the 180°-130° range.
- Consult factory for applications where door must swing 180°

4030T Series

Mounting details

Stop Face (Push) Side Mounting



Butt Hinges	Should not exceed 5" (127 mm) in width
Auxiliary Stop	Recommended at hold-open point or where a door cannot swing 110°
Reveal	Should not exceed 1-3/4" (44 mm)
Top Rail	Requires 4-1/8" (105 mm) minimum measured from the stop
Head Frame	Minimum 1-1/4" (32 mm)
Maximum opening	<ul style="list-style-type: none"> ■ Can be templated for 110° ■ Hold-open points up to maximum opening with hold-open option

Notes:

- Many track style door closers are capable of allowing 180° of door swing.
- The majority of track style closers are at their weakest closing force in the 180°-130° range.
- Consult factory for applications where door must swing 180°.

Cylinders



4031T-3071
Cast Iron Cylinder Assembly

- Non-handed
- Standard

Covers



4030T-72MC
Metal Cover

- Non-handed

Arms



4030T-3077T
Standard Arm

- Non-handed
- Single lever mounts hinge side, top jamb or stop face
- Track roller included

Tracks



4030T-3038
Standard Track

- Non-handed
- Non hold-open track mounts on either side of the door
- Will accept hold-open clip
- Standard



4030T-3038H
Hold-Open Track

- Non-handed
- Hold-open track mounts on either side of the door
- Comes with 4030T-3054 Hold-open clip
- Optional

Installation Accessories



4030T-3054
Hold-Open Clip

- Mounts in track to provide hold-open function
- Hold-open point controlled by clip location
- Requires 4030T-3034H

How-to-order 4030T Series closers

1. Select finish

- Standard Powder Coat _____
Aluminum, Dark Bronze, Statuary,
Light Bronze, Black, Brass.

Closer options

Finish

- Custom Powder Coat (RAL) _____
- Plated Finish, US _____
- SRI primer (use with powder coat finishes only)

Track

- Hold-open (H)

Closer will be shipped with:

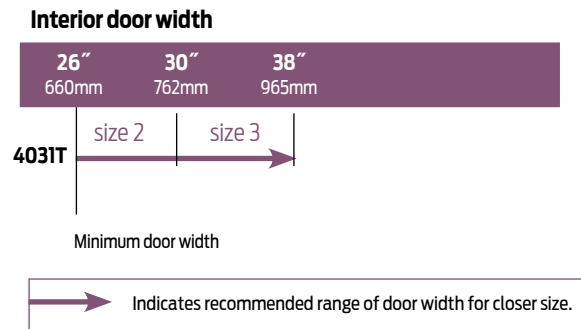
- Standard cylinder
- Standard metal cover
- Standard track
- Standard arm
- Track roller
- Wood and self-tapping machine screw pack unless options listed below are selected.

Optional Screw Packs

- TB*, Wood & Machine Screw (TBWMS)

Table of sizes

- Non-sized 4031T cylinder is adjustable from sizes 1 to 3 and is shipped set to size 3.



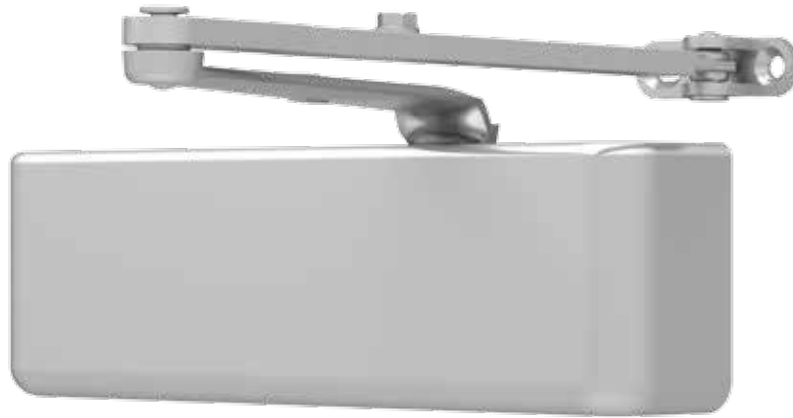
Reduced opening force 4030T Series closers

CAUTION! Any manual door closer, including those certified by BHMA to conform to ANSI Standard A156.4, that is selected, installed and adjusted based on ADA or other reduced opening force requirements may not provide sufficient power to reliably close and latch a door.

Refer to AUTOMATIC OPERATORS section for information on systems that meet reduced opening force requirements without effecting closing power.

	DOOR WIDTH	36"	42"	48"
	8.5* lbs.	N/A	N/A	N/A
	5.0* lbs.	4031T	4031T	4031T

* Maximum opening force.

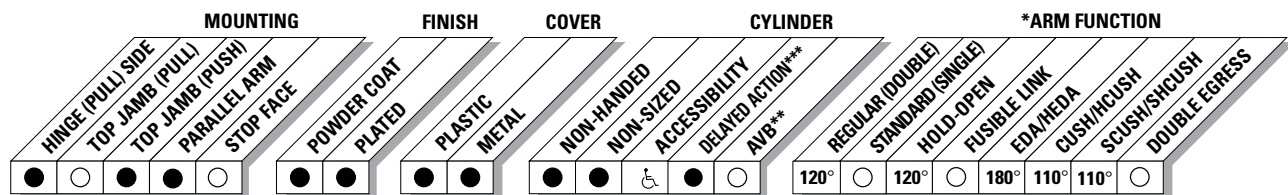


The 4040XP is LCN's most durable and flexible heavy duty closer designed for institutional and other demanding high traffic applications.

Certifications	Grade 1 - ANSI A156.4, UL 10C, ADA, 100 Hour Salt Spray, Meets BAA - Buy American Act	Cover	<ul style="list-style-type: none"> Plastic, Standard Metal, Optional
Body Construction	<ul style="list-style-type: none"> Cast Iron Body Full Complement Bearings 1-1/2" Diameter Piston 3/4" Diameter Double Heat Treated Pinion Journal 	Fasteners	Self Reaming and Tapping Screws (SRT)
Fluid	All Weather Liquid X Fluid	Mounting	Hinge (Pull Side), Top Jamb (Push Side), Parallel Arm (Push Side)
Handing	Non-Handed	Arms	Regular Arm
Templating	Peel-n-Stick templates - 2-1/4" x 5" Mounting Hole Pattern	Finishes/Colors/Powder Coat	<ul style="list-style-type: none"> Aluminum (689) Statuary Bronze (690) Light Bronze (691) Black (693) Dark Bronze (695) Brass (696) Custom colors optional
Size	Adjustable Spring Size 1-6, includes Patented Green Dial		<ul style="list-style-type: none"> Optional SRI primer - powder coat only Optional plated finishes
Warranty	30 years		

Special Templates

Customized installation templates or products may be available to solve unusual applications. Contact LCN Product Support for assistance.



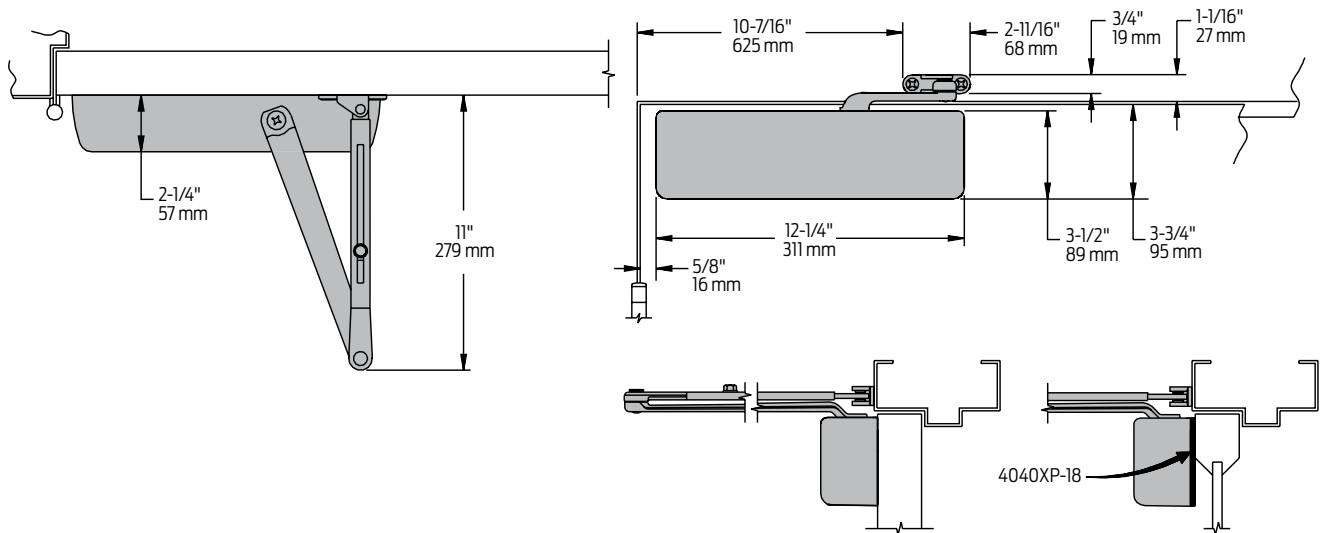
● AVAILABLE
○ NOT AVAILABLE

♿ Closer available with less than 5.0 lbs. opening force on 36" door.
 * Maximum opening/hold-open point with standard template.
 ** Advanced Variable Backcheck.
 *** Delay feature incorporates standard 4040 cylinder (not XP).

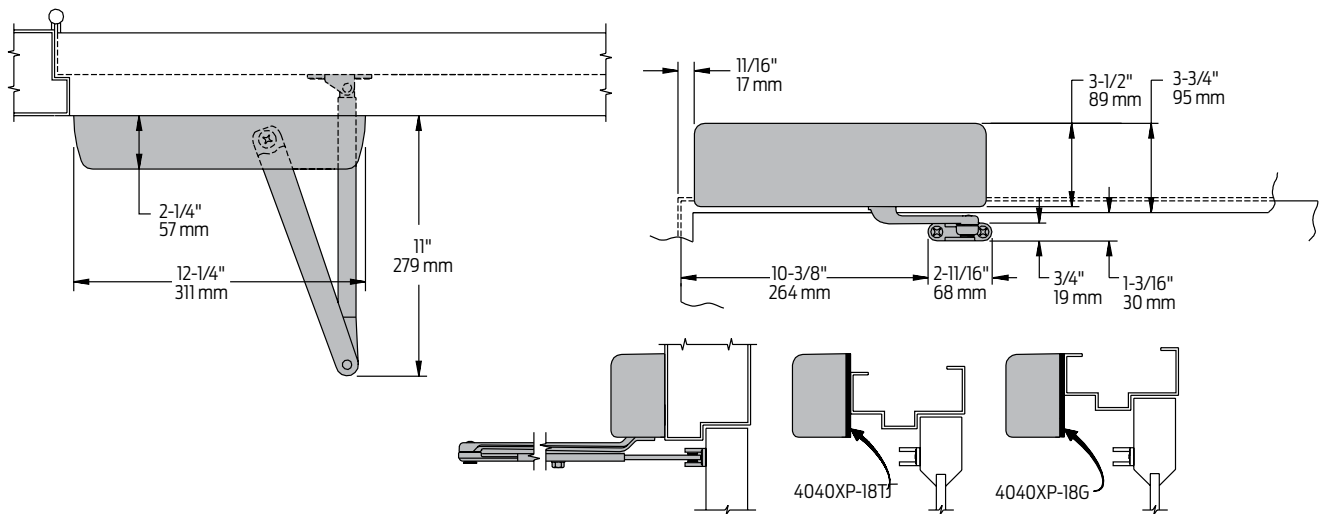
4040XP Series

Mounting details

Hinge (Pull Side) Mounting



Butt Hinges	<ul style="list-style-type: none"> Should not exceed 5" (127 mm) in width
Auxiliary Stop	<ul style="list-style-type: none"> Recommended at hold-open point or where a door cannot swing beyond 120°
Reveal	<ul style="list-style-type: none"> Should not exceed 3/4" (19 mm) for regular arm or hold-open arm
Top Rail	<ul style="list-style-type: none"> Less than 3-3/4" (95 mm) requires PLATE, 4040XP-18. Plate requires 2" (51 mm) minimum
Clearance	<ul style="list-style-type: none"> 2-3/8" (60 mm) behind door required for 90° installation
Delayed Action	<ul style="list-style-type: none"> Incorporates standard 4041 cylinder, without XP cylinder Delays closing from 120° to 70° Delay time adjustable up to approximately 1 minute
Maximum Opening	<ul style="list-style-type: none"> Templating allows up to 120°. Hold-open points 90° up to 120° with hold-open arm.

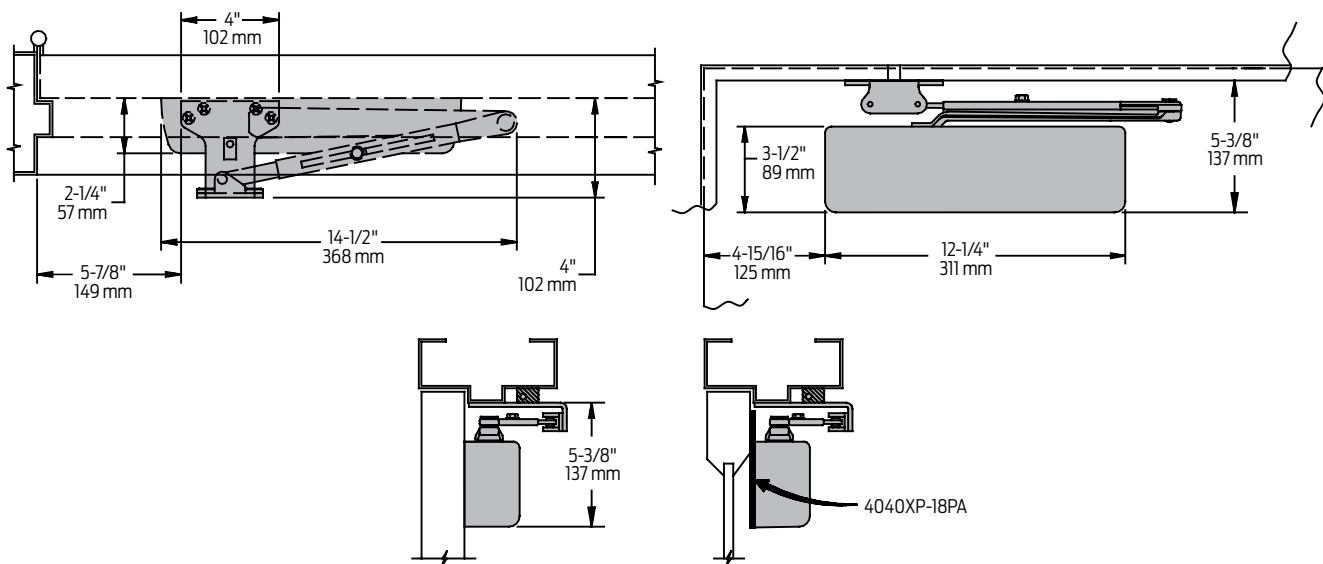


Butt Hinges	Should not exceed 5" (127 mm) in width		
Auxiliary Stop	Recommended at hold-open point or where a door cannot swing beyond 120°		
Reveal	Arm Type	Reveal	Max Opening
	Regular Arm	2-9/16"	Up to 120°
	Long	4-13/16"	Up to 120°
	Hold-Open	2-9/16"	Up to 120°
	Long Hold-Open Arm	8"	Up to 120°
Top Rail	<ul style="list-style-type: none"> Requires 1-1/4" (32 mm) minimum 2-1/4" (57 mm) minimum with closer on PLATE, 4040XP-18TJ 3" (76 mm) minimum with closer on PLATE, 4040XP-18G 		
Head Frame	<ul style="list-style-type: none"> Less than 3-1/2" (89 mm) requires PLATE, 4040XP-18TJ With flush ceiling, use PLATE, 4040XP-18G. Either plate requires 1-3/4" (44 mm) minimum 		
Maximum Opening	<ul style="list-style-type: none"> Templating allows up to 120°. Hold-open points 85° up to 120° with hold-open arm. 		
Delayed Action	<ul style="list-style-type: none"> Incorporates standard 4041 cylinder, without XP cylinder Delays closing from 120° to 70° Delay time adjustable up to approximately 1 minute 		

4040XP Series

Mounting details

Parallel Arm (Push Side) Mounting

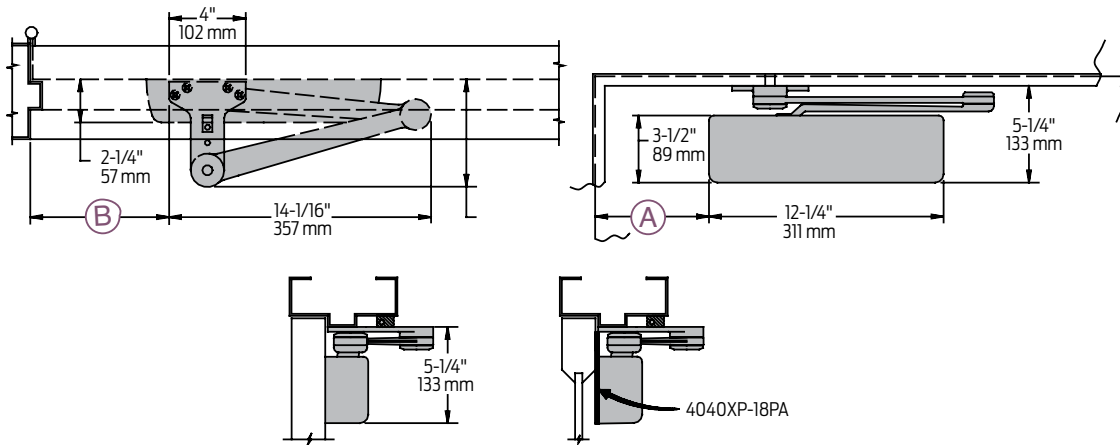


Butt Hinges	Should not exceed 5" (127 mm) in width
Auxiliary Stop	Recommended at hold-open point, where the door cannot swing 180°, or where CUSH-N-STOP arm is not used
Reveal	Should not exceed 7/32" (6 mm)
Top Rail	Less than 5-3/8" (137 mm) measured from the stop requires PLATE, 4040XP-18PA. Plate requires 2" (51 mm) minimum from the stop
Head Frame	Flush or rabbeted requires PA SHOE ADAPTER, 4040XP-419
Stop Width	Minimum 1" (25 mm). CUSH arm requires minimum 1-1/2" (38 mm)
Blade Stop	Clearance requires 1/2" (13mm) BLADE STOP SPACER, 4040XP-61.
Clearance	<ul style="list-style-type: none"> 4040XP-62PA shoe is 4" (102 mm) from door face. EDA shoe projects 5-1/2" (140 mm) from door face. CUSH shoe projects 6" (152 mm) from door face
Delayed Action	<ul style="list-style-type: none"> Incorporates standard 4041 cylinder, without XP cylinder Delays closing from 120° to 70°. Delay time adjustable up to approximately 1 minute.
Maximum Opening	<ul style="list-style-type: none"> 180° opening/hold-open points with all except CUSH arms 110° opening/hold-open with CUSH arms

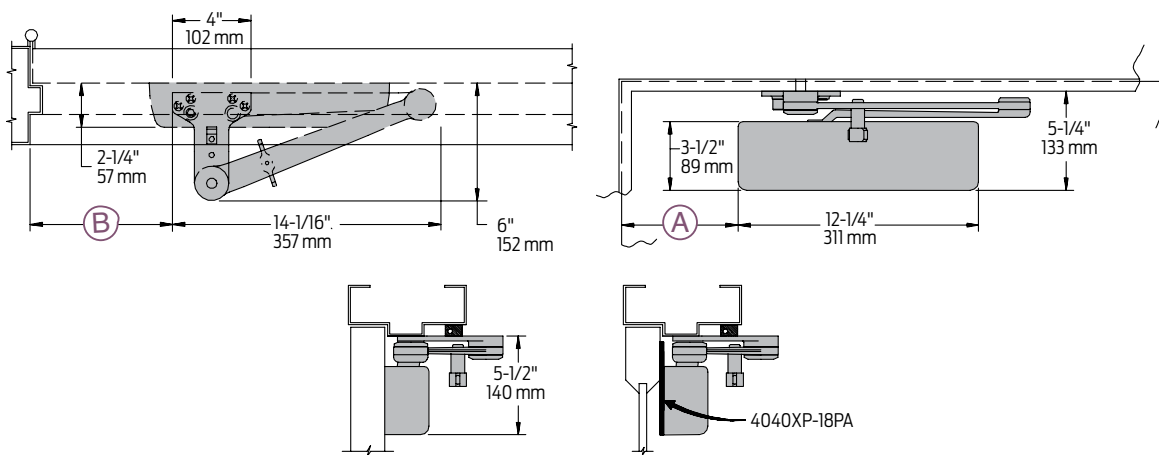
Notes:

- Optional mounting requires PA SHOE, 4040XP-62PA for regular or HOLD-OPEN arms
- Add prefix "P" to closer description (eg. P4040XP)
- P4040XP closer includes 4040XP-201 FIFTH HOLE SPACER to support PA SHOE

EDA mount



CUSH mount

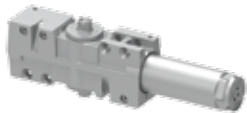


Clearance	4040XP-62EDA is 5-1/2" (140 mm) from door face. 6" (152 mm) for CUSH	
Head Frame	Flush or rabbeted requires CUSH FLUSH PANEL ADAPTER, 4040XP-419	
CUSH ARM	Requires SHOE SUPPORT, 4040XP-30 for fifth screw anchorage where reveal is less than 3-1/16" (78 mm)	
Delayed Action	<ul style="list-style-type: none"> ■ Incorporates standard 4041 cylinder, without XP cylinder. ■ Delays closing from maximum opening to ; 115° with 180° template, 95° with 110° template, 85° with 100° template, 75° with 90° template. Delay time adjustable up to approximately 1 minute. 	
Maximum Opening	EDA arm can be templated for points at:	CUSH arms can be templated for opening/hold-open point at:
	110°: A = 6-3/8" (162 mm) B = 7-3/4" (197 mm)	85°: A = 7-15/16" (202 mm) B = 9-1/8" (232 mm)
	or 180°: A = 2-7/8" (73 mm) B = 4-1/4" (108 mm)	90°: A = 7-3/16" (183 mm) B = 8-1/2" (216 mm)
	Hold-open points up to maximum opening with HEDA arm	100°: A = 6-1/16" (154 mm) B = 7-1/4" (184 mm)
		or 110°: A = 5-1/16" (129 mm) B = 6-3/8" (162 mm)

Notes:

- 4040XP Series closers ordered with EDA or CUSH arms include 4040XP-201 FIFTH HOLE SPACER to support the shoe
- Spring Cush stop points are approximately 5° more than templated stop point
- Hold open at templated stop points

Cylinders



4040XP-3071
Cast Iron Cylinder Assembly

- Non-handed
- Heavy duty



4041-3071 DEL
Cast Iron Cylinder Assembly

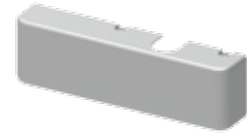
- Used for delayed action closing
- Non-handed
- Heavy duty

Covers



4040XP-72
Plastic Cover

- Includes 4040XP-54 snap-on cover clip
- Non-handed
- Standard



4040XP-72MC
Metal Cover

- Handed
- Required for plated finishes and custom powder coat finishes
- Optional

Installation Accessories



4040XP-18
Plate

- Required for hinge side mount where top rail is less than 3-3/4" (95 mm)
- Requires minimum 2" (51 mm) minimum top rail



4040XP-18G
Plate

- Locates top jamb mounted closer flush with top of head frame face in flush ceiling condition
- Requires 1-3/4" (44 mm) minimum head frame



4040XP-18TJ
Plate

- Centers top jamb mounted closer vertically on head frame where face is less than 3-1/2" (89 mm). Plate requires 1-3/4" (44 mm) minimum head frame



4040XP-18PA
Plate

- Required for parallel arm mounting where top rail is less than 5-1/2" (140 mm), measured from the stop
- Requires 2" (51 mm) minimum top rail



4040XP-62PA
PA Shoe

- Required for parallel arm mounting

Arms

4040XP Series

Accessories



4040XP-3077
Regular Arm

- Non-handed
- Mounts pull side or top jamb with shallow reveal P4041 closer includes PA SHOE, 4040XP-62PA required for parallel arm mounting



4040XP-3077L
Long Arm

- Non-handed
- Includes LONG ROD AND SHOE, 4040XP-79LR for top jamb mount
- Optional



4040XP-3077ELR
Extra Long Arm

- Non-handed
- Includes EXTRA LONG ROD AND SHOE, 4040XP-79ELR for top jamb mount with deep reveal
- Optional



4040XP-3049
Hold-Open Arm

- Non-handed
- Mounts pull side or top jamb with shallow reveal, hold-open adjustable shoe
- 4040XP closer includes 4040XP-62PA shoe required for parallel arm mounting
- Optional



4040XP-3049L
Long Hold-Open Arm

- Non-handed
- Includes LONG HEAD AND TUBE, 4040XP-3048L for top jamb mount
- Optional



4040XP-3077EDA
Extra Duty Arm

- Non-handed
- Features forged, solid steel main and forearm for potentially abusive installations
- Optional



4040XP-3049EDA
Hold-Open Extra Duty Arm

- Handed
- Parallel arm features forged, solid steel main and forearm for potentially abusive installations
- Hold-open function is adjusted at the shoe
- Optional



4040XP-3077EDA/62G
Extra Duty Arm with 62G

- Non-handed
- Features forged, solid steel main and forearm for potentially abusive installations
- 62G shoe provides additional blade stop clearance
- Optional



4040XP-3049EDA/62G
Hold-Open Extra Duty Arm with 62G

- Handed
- Features forged, solid steel main and forearm for potentially abusive installations
- 62G shoe provides additional blade stop clearance. Hold-open function is adjusted at the shoe
- Optional



4040XP-3077CNS
Cush-N-Stop[®] Arm

- Non-handed
- Features solid forged steel main arm and forearm with stop in soffit shoe.
- Optional



4040XP-3049CNS
HCUSH Arm

- Non-handed
- Hold-open function with templated stop/hold-open points
- Handle controls hold-open function
- Optional



4040XP-3077SCNS
Spring CUSH Arm

- Non-handed
- For abusive applications features solid forged steel main arm and forearm with spring loaded stop in the soffit shoe
- Optional



4040XP-3049SCNS
Spring HCUSH Arm

- Non-handed
- For abusive applications features solid forged steel main arm and forearm with spring loaded stop in the soffit shoe
- Handle controls hold-open function
- Optional

Installation Accessories cont.



4040XP-30
CUSH Shoe Support

- Provides anchorage for fifth screw used with CUSH arms, where reveal is less than 3-1/16" (78 mm)
- Optional



4040XP-61
Blade Stop Spacer

- Required to lower parallel arm shoe to clear 1/2" (13 mm) blade stop
- Optional



4040XP-419
PA Flush Panel Adapter

- Provides horizontal mounting surface for parallel arm shoe on single rabbeted or flush frame
- Optional



4040XP-62A
Auxiliary Shoe

- Requires a top rail of 7" (178 mm)
- Shoe replaces -62PA for parallel arm mounting of regular arm with overhead holder/stop
- Optional



4040XP-54
Snap-On Cover Clip

- Used to secure 4040XP-72 Plastic Cover to cylinder body

How-to-order 4040XP Series closers

1. Select finish

- Standard Powder Coat _____
Aluminum, Dark Bronze, Statuary,
Light Bronze, Black, Brass.

Closer will be shipped with:

- Standard cylinder
- Standard cover
- Regular arm
- Self-reaming and tapping screws
unless options listed below are selected.

Closer options

Cylinder

- Delayed Action (4041 DEL)

Cover

- Metal (specify right or left hand) (MC)

Finish

- Custom Powder Coat (RAL) _____
(handed metal cover required)
- Plated Finish, US _____
(handed metal cover required)
- SRI primer (use with powder coat finishes only)

Arm

- Regular (REG)
- Regular w/62PA (Rw/PA)
- Regular w/62A (R/62A)
- Long (LONG)
- Extra Long (XLONG)
- Hold-Open (H)
- Hold-Open w/62PA (Hw/PA)
- Long Hold-Open (HLONG)
- Extra Duty Arm (EDA)
- Extra Duty Arm with 62G (EDA/62G)
- Hold Open Extra Duty Arm (HEDA)
(Handed)
- Hold Open Extra Duty Arm with 62
(HEDA/62G)(Handed)
- Cush-N-Stop (CUSH)
- HCush-N-Stop (HCUSH)
- Spring Cush (SCUSH)
- Spring HCush (SHCUSH)

Optional Screw Packs

- TB* w/Self-Reaming and Tapping (TBSRT)
- Wood & Machine Screw (WMS)
- TB*, Wood & Machine Screw (TBWMS)
- TORX Machine Screw (TORX)
- TB* & TORX Machine Screw (TBTRX)
* Specify door thickness if other than
1-3/4".

Installation Accessories

- Plate, 4040XP-18
- Plate, 4040XP-18TJ
- Plate, 4040XP-18G
- Plate, 4040XP-18PA
- CUSH Shoe Support, 4040XP-30
- Blade Stop Spacer, 4040XP-61
- Auxiliary Shoe, 4040XP-62A
- PA Flush Panel Adapter, 4040XP-419

Special Template

- ST- _____

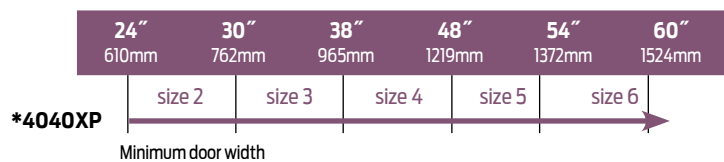
Table of sizes

- 4040XP cylinders are adjustable from size 1 through size 6 and is shipped set to size 3
- Closing power of 4040XP Series closers may be adjusted 50%

Exterior (and vestibule) door width



Interior door width




→ Indicates recommended range of door width for closer size. *Adjustable Size 1 thru 6.

Reduced opening force 4040XP Series closers

CAUTION! Any manual door closer, including those certified by BHMA to conform to ANSI Standard A156.4, that is selected, installed and adjusted based on ADA or other reduced opening force requirements may not provide sufficient power to reliably close and latch a door.

Refer to POWER OPERATORS section for information on systems that meet reduced opening force requirements without effecting closing power.

	DOOR WIDTH	36"	42"	48"
	8.5* lbs.	4040XP	4040XP	4040XP
5.0* lbs.	4040XP	4040XP	4040XP	

* Maximum opening force.



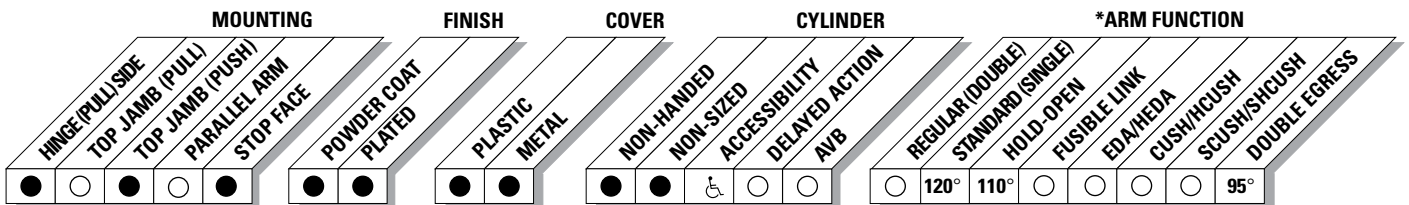
The 4040XPT is LCN's most flexible heavy duty track closer designed specifically for interior doors in institutional and other rugged high traffic applications.

Certifications	Grade 1 - ANSI A156.4, UL 10C, ADA, 100 Hour Salt Spray, Meets BAA - Buy American Act
Body Construction	<ul style="list-style-type: none"> ■ Cast Iron Body ■ Full Complement Bearings ■ 1-1/2" Diameter Piston ■ 3/4" Diameter Double Heat Treated Pinion Journal
Fluid	All Weather Liquid X Fluid
Handing	Non-Handed
Size	Adjustable Spring Size 1-4
Warranty	30 years

Cover	<ul style="list-style-type: none"> ■ Plastic, Standard ■ Metal, Optional
Fasteners	Self Reaming and Tapping Screws (SRT)
Mounting	Pull side on door, pull side top jamb, push side on door
Arms	Standard Arm and Track with Roller
Finishes/Colors/ Powder Coat	<ul style="list-style-type: none"> ■ Aluminum (689) ■ Statuary Bronze (690) ■ Light Bronze (691) ■ Black (693) ■ Dark Bronze (695) ■ Brass (696) ■ Custom colors optional
	<ul style="list-style-type: none"> ■ Optional SRI primer - powder coat only ■ Optional plated finishes

Special Templates

Customized installation templates or products may be available to solve unusual applications. Contact LCN Product Support for assistance.



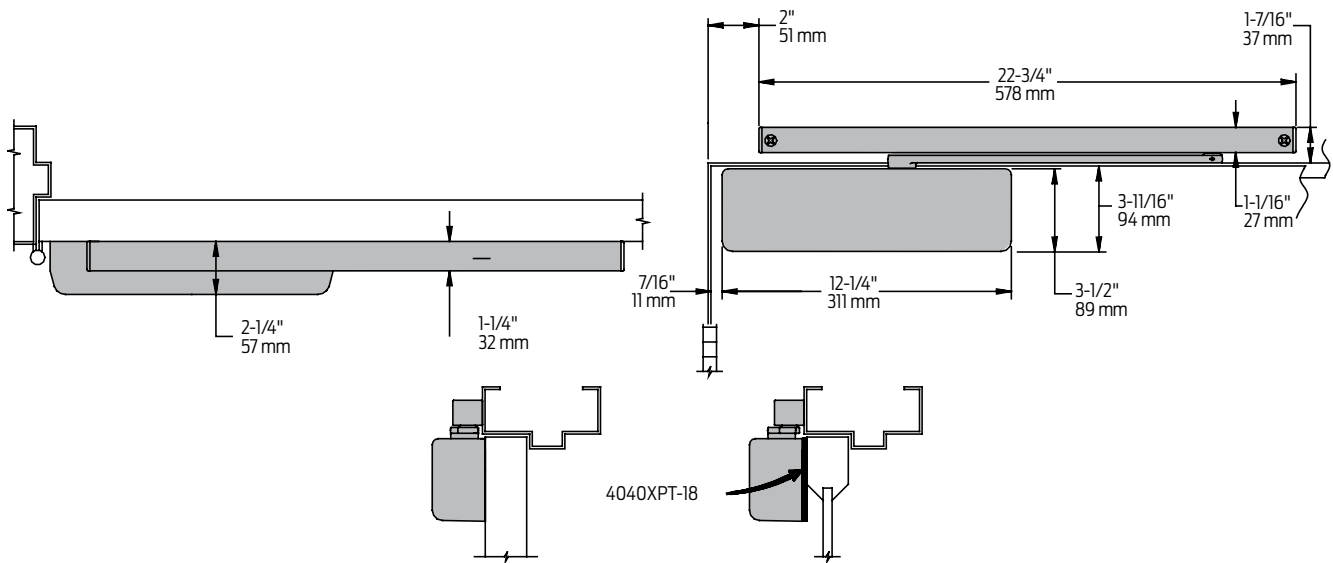
♿ Closer available with less than 5.0 lbs. opening force on 36" door.
 * Maximum opening/hold-open point with standard template.

● AVAILABLE
 ○ NOT AVAILABLE

4040XPT Series

Mounting details

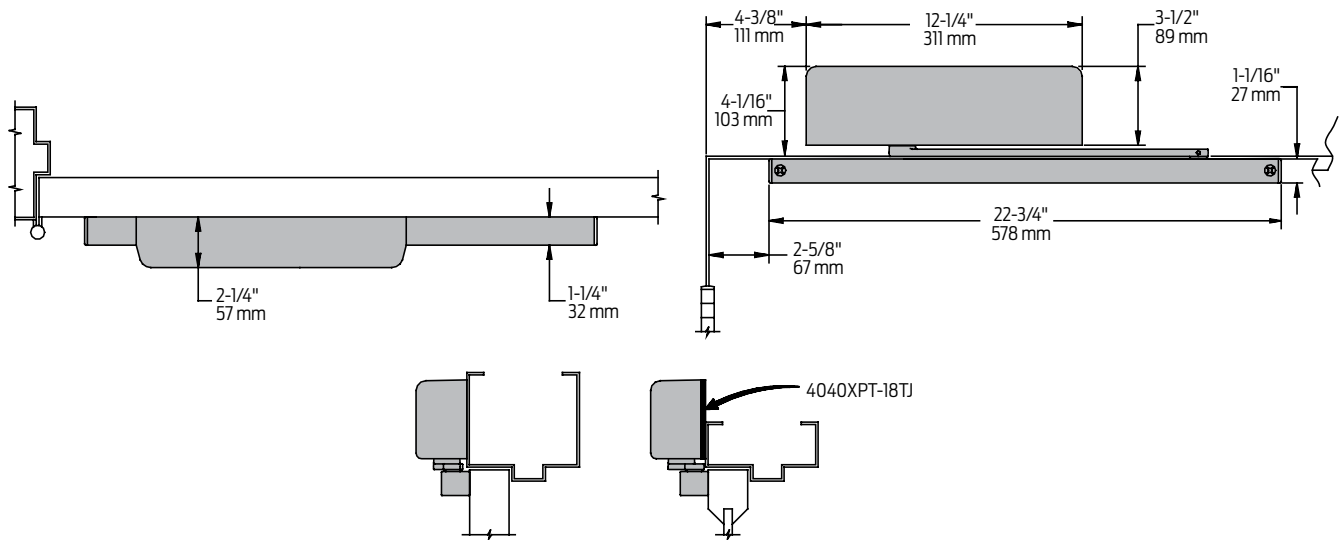
Hinge (Pull Side) Mounting



Butt Hinges	Should not exceed 5" (127 mm) in width
Auxiliary Stop	<ul style="list-style-type: none"> ■ Recommended at hold-open point or where a door cannot swing 120° ■ Optional track bumper assembly assists backcheck in cushioning the opening swing of the door ■ It is not intended to replace an auxiliary stop
Reveal	Should not exceed 1/8" (3 mm) for standard arm
Top Rail	Less than 3-3/4" (95 mm) requires PLATE, 4040XPT-18. Plate requires 1-13/16" (44 mm) minimum
Head Frame	Requires 1-1/4" (32 mm) minimum
Clearance	2-1/4" (57 mm) behind door required for 90° installation
Maximum Opening	<ul style="list-style-type: none"> ■ Templating allows 120° with standard arm, limited to 110° when optional bumper is installed ■ Variable hold-open angles with infinite options

Notes:

- Many track style door closers are capable of allowing 180° of door swing
- The majority of track style closers are at their weakest closing force in the 180° – 130° range
- Consult factory for applications where door must swing 180°



Butt Hinges	Should not exceed 5" (127 mm) in width
Auxiliary Stop	<ul style="list-style-type: none"> ■ Recommended at hold-open point or where a door cannot swing 180° ■ Optional track bumper assembly assists backcheck in cushioning the opening swing of the door ■ It is not intended to replace an auxiliary stop
Reveal	Should not exceed 1/8" (3 mm)
Head Frame	Less than 3-7/8" (98 mm), requires PLATE, 4040XPT-18TJ. Plate requires 1-3/4" (44 mm) minimum
Clearance	1-1/4" (32 mm) behind door required for 180° installation
Maximum Opening	<ul style="list-style-type: none"> ■ Templating allows 180° with standard track arm, limited to 110° with optional bumper installed ■ Consult factory if door will be held open at 180° ■ Hold-open points at 85°, 90°, 95°, 100°, 105° or 110° with hold-open tracks

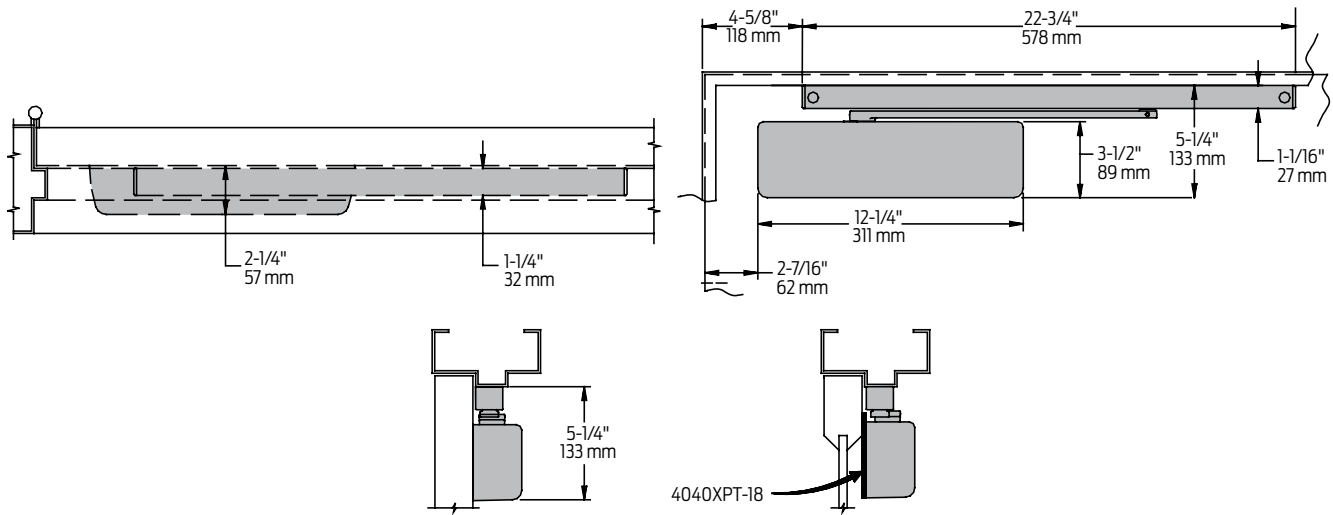
Notes:

- Many track style door closers are capable of allowing 180° of door swing
- The majority of track style closers are at their weakest closing force in the 180° – 130° range
- Consult factory for applications where an exterior or large/heavy door must swing 180°

4040XPT Series

Mounting details

Stop Face (Push Side) Mounting

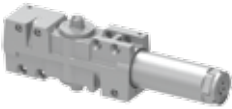


Butt Hinges	Should not exceed 5" (127 mm) in width
Auxiliary Stop	<ul style="list-style-type: none"> Recommended at hold-open point or where a door cannot swing 120° Optional track bumper assembly assists backcheck in cushioning the opening swing of the door It is not intended to replace an auxiliary stop
Clearance	Projects 2-1/4" (57 mm) from face of door
Top Rail	<ul style="list-style-type: none"> Less than 5-1/4" (133 mm) measured from the stop, requires PLATE, 4040XPT-18 Plate requires 3-1/2" (89 mm) minimum
Stop Width	Minimum 1-1/4" (32 mm)
Maximum Opening	<ul style="list-style-type: none"> Templating allows 120° with standard track arm, limited to 110° with optional bumper tracks Hold-open points at 85°, 90°, 95°, 100°, 105° or 110° with hold-open tracks

Notes:

- Many track style door closers are capable of allowing 180° of door swing
- The majority of track style closers are at their weakest closing force in the 180° – 130° range
- Consult factory for applications where door must swing 180°

Cylinder



4040XPT-3071
Cast Iron Cylinder Assembly

- Non-handed
- Standard

Covers



4040XPT-72
Plastic Cover

- Non-handed
- Snap-on
- Standard



4040XPT-72MC
Metal Cover

- Handed
- Required for plated finishes and custom powder coat finishes
- Optional

Arms



4040XPT-3077T
Standard Arm

- Non-handed
- Arm does not include track roller



4040XPT-3077DE
Double Egress Arm

- Handed
- For double egress doors and frames
- Does not include track roller
- Maximum reveal is 2-11/16" (68mm)
- Optional

Tracks



4040XPT-3038
Standard Track

- Non-handed
- Non hold-open
- Will accept hold-open clip and/or bumper assembly
- Standard



4040XPT-3038B
Standard Track with Bumper

- Non-handed
- Non hold-open
- Will accept hold-open clip
- Optional



4040XPT-3038H
Hold-Open Track

- Non-handed
- With hold-open clip installed
- Will accept bumper assembly
- Optional



4040XPT-3038HB
Hold-Open Track with Bumper

- Non-handed
- With hold-open clip and bumper assembly installed
- Optional

Installation Accessories



4040XPT-18
Plate

- Required for pull side (door mount) installations where top rail is less than 3-3/4" (95 mm)
 - Requires minimum 1-3/4" (44 mm) top rail
- Required for push side (door mount) installations where top rail is less than 5-1/4" (133 mm) measured from the stop
 - Requires minimum 3-1/2" (89 mm) top rail



4040XPT-18TJ
Plate

- Required for pull side top jamb installations where head frame is less than 3-7/8" (98 mm)
- Requires minimum 1-3/4" (44 mm) head frame



4040XPT-169
Track Bumper

- Mounts in track to assist backcheck, does not replace auxiliary stop
- Limits maximum opening. Consists of bumper, bumper post, and mounting screw



4040XPT-3054
Hold-Open Clip

- Mounts in track to provide hold-open function)
- Hold-open point controlled by clip location
- Consists of clip and mounting screws
- Requires 4040XPT-3034H Hold-Open Track Roller



4040XPT-3034
Track Roller

- Quiet, low friction roller assembly
- Shoulder dimension "X" = 1/8" (3mm)



4040XPT-3034H
Hold-Open Track Roller

- Quiet, low friction roller assembly
- Shoulder dimension "X" = 1/8" (3mm)

How-to-order 4040XPT Series closers

1. Select finish

- Standard Powder Coat _____
Aluminum, Dark Bronze, Statuary,
Light Bronze, Black, Brass.

Closer options

Cover

- Metal (specify right or left hand) (MC)

Finish

- Custom Powder Coat (RAL) _____
(handed metal cover required)
- Plated Finish, US _____
(handed metal cover required)
- SRI primer (use with powder coat finishes only)

Track

- Regular with Bumper (BUMPER)
- Hold-Open (HO)
- Hold-Open with Bumper (HBUMPER)

Closer will be shipped with:

- Standard cylinder
- Standard cover
- Standard arm
- Track roller
- Standard track
- Self-reaming and tapping screws
unless options listed below are selected.

Specific Screw Pack

- TB* w/Self-Reaming and Tapping Screws (TBSRT)
 - Wood & Machine Screw (WMS)
 - TB*, Wood & Machine Screw (TBWMS)
 - TORX Machine Screw (TORX)
 - TB* & TORX Machine Screw (TBTORX)
- * Specify door thickness if other than 1-3/4".

Installation Accessories

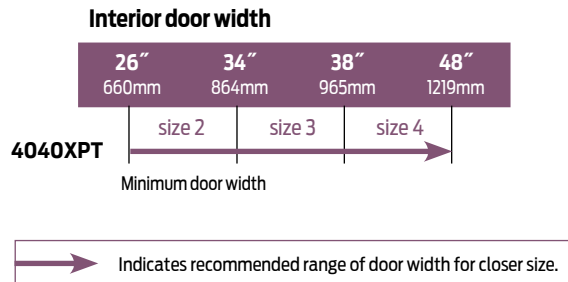
- Plate, 4040XPT-18
- Plate, 4040XPT-18TJ

Special Template

- ST- _____

Table of sizes

- Non-Sized 4040XPT cylinder is adjustable from sizes 1 thru 4 and is shipped set to size 3



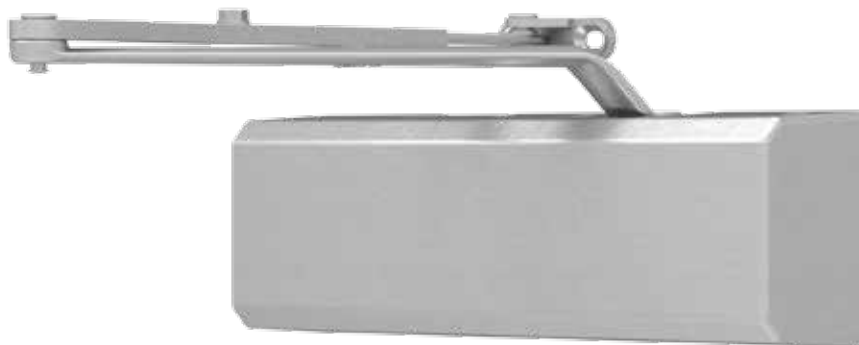
Reduced opening force 4040XPT Series closers

CAUTION! Any manual door closer, including those certified by BHMA to conform to ANSI Standard A156.4, that is selected, installed and adjusted based on ADA or other reduced opening force requirements may not provide sufficient power to reliably close and latch a door.

Refer to POWER OPERATORS section for information on systems that meet reduced opening force requirements without effecting closing power.

	DOOR WIDTH	36"	42"	48"
	8.5* lbs.	N/A	N/A	N/A
	5.0* lbs.	4040XPT	4040XPT	4040XPT

* Maximum opening force.



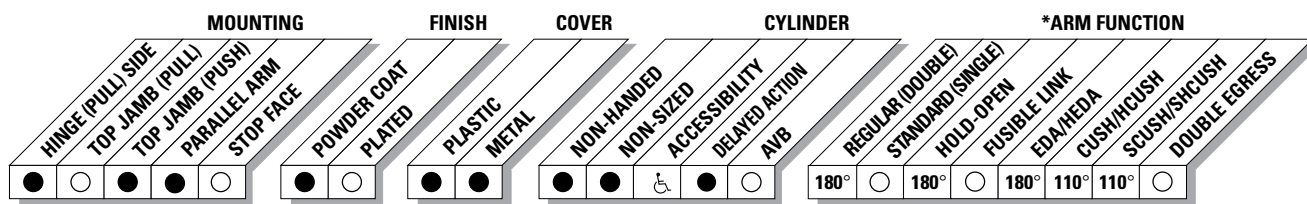
The 4050 Series cast aluminum closer is engineered for durability and built tough to excel in the harsh environments of high frequency, high abusive traffic areas. Ideal for commercial building applications and competitive specification situations that demand a combination of quality, reliability and value. The cast aluminum door closer offers premium features like powder coating, full complement bearing, All Weather Fluid and a 25 year warranty.

Certifications	Grade 1 - ANSI A156.4, UL 10C, ADA, 100 Hour Salt Spray, Meets BAA - Buy American Act
Body Construction	<ul style="list-style-type: none"> ■ Cast Aluminum Body ■ Full Complement Bearings ■ 1-1/2" Diameter Piston ■ 11/16" Diameter Double Heat Treated Pinion Journal
Fluid	All Weather Liquid X Fluid
Handing	Non-Handed
Templating	Peel-n-Stick templates - 2-3/8" x 6-3/4" Mounting Hole Pattern
Size	Adjustable spring size 1-6
Warranty	25 years

Cover	<ul style="list-style-type: none"> ■ Plastic, Standard ■ Metal, Optional
Fasteners	Self Reaming and Tapping Screws (SRT)
Mounting	Hinge (Pull Side), Top Jamb (Push Side), Parallel Arm (Push Side)
Arms	Standard Regular Arm
Finishes/Colors/ Powder Coat	<ul style="list-style-type: none"> ■ Aluminum (689) ■ Statuary Bronze (690) ■ Light Bronze (691) ■ Black (693) ■ Dark Bronze (695) ■ Brass (696) ■ Custom colors optional
	<ul style="list-style-type: none"> ■ Optional SRI primer - powder coat only

Special Templates

Customized installation templates or products may be available to solve unusual applications. Contact LCN Product Support for assistance.



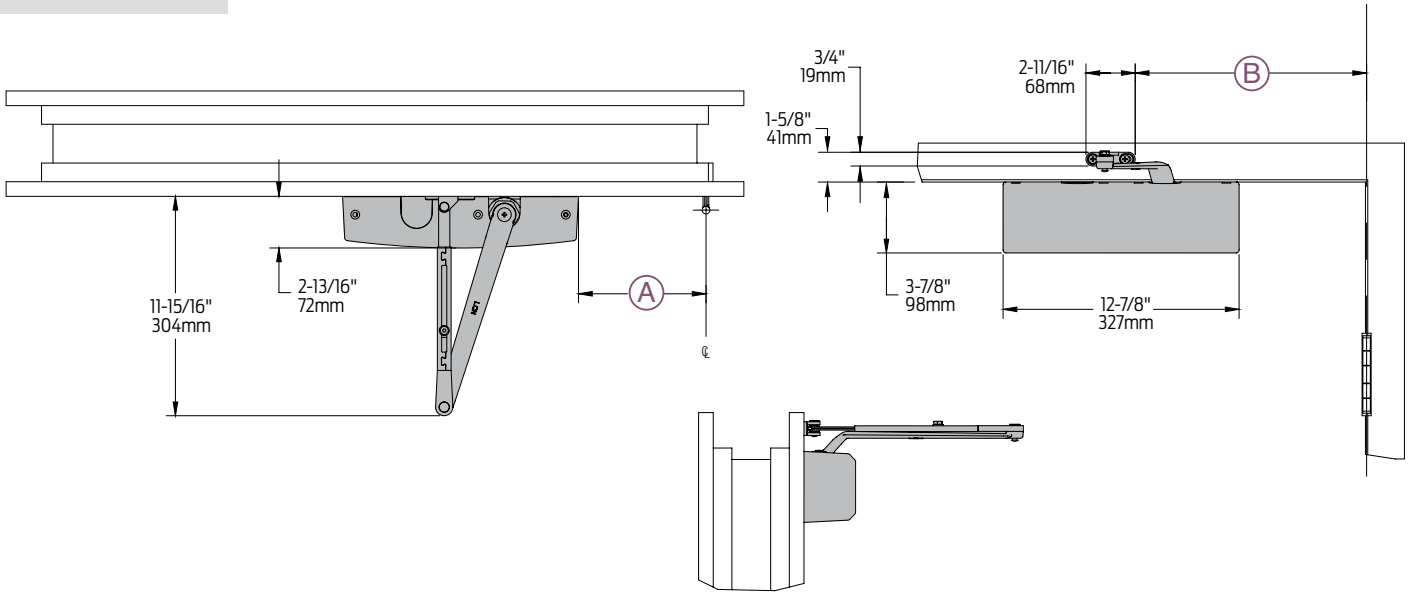
● AVAILABLE
○ NOT AVAILABLE

♿ Closer available with less than 5.0 lbs. opening force on 36" door.
* Maximum opening/hold-open point with standard template.

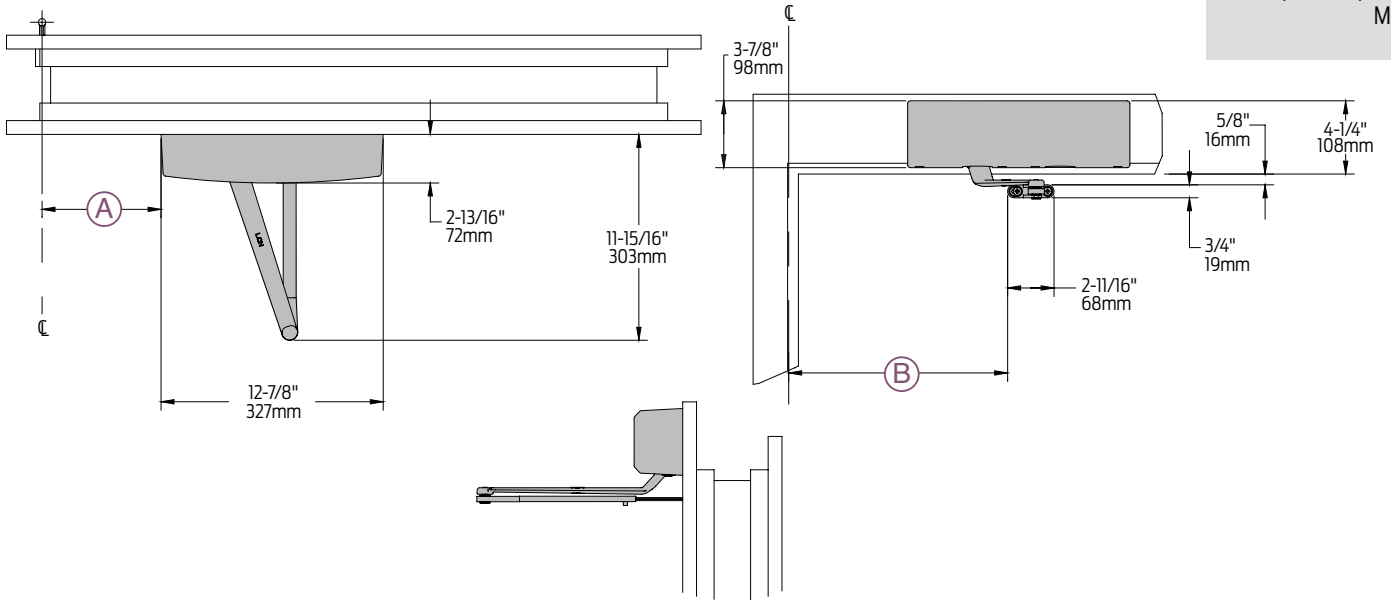
4050 Series

Mounting details

Hinge (Pull Side) Mounting

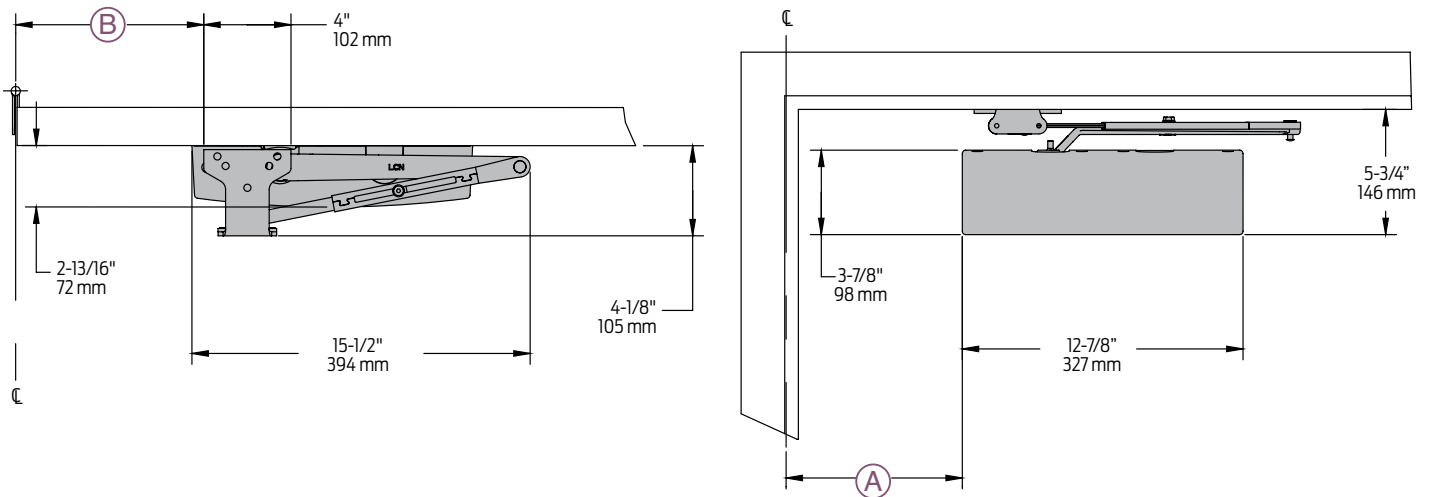


Butt Hinges	Should not exceed 5" (127 mm) in width
Auxiliary Stop	Recommended at hold-open point or where a door cannot swing beyond templated maximum opening
Reveal	Should not exceed 3/4" (19 mm) for regular arm or hold-open arm
Top Rail	<ul style="list-style-type: none"> ■ Less than 3-7/8" (98 mm) requires PLATE, 4050-18. ■ Plate requires 1-13/16" (44 mm) minimum
Clearance	2-13/16" (72 mm) behind door required for 90° installation
Delayed Action	Delays closing from 180°-70°. Delay time adjustable up to approximately 1 minute
Maximum Opening	<ul style="list-style-type: none"> ■ Templating allows up to 180° ■ Hold-open points up to maximum opening with hold-open arm
To 100°:	A = 6-15/16" (176mm) B = 12-5/8" (321 mm)
100° to 120°:	A = 5-15/16" (151mm) B = 11-5/8" (295 mm)
120° to 150°:	A = 3-15/16" (100 mm) B = 9-5/8" 244 mm)
150° to 180°:	A = 3-7/16" (87mm) B = 9-1/8" (232 mm)



The 'A' dimension refers to the edge of the closer body to the center line of pivot or hinge.
 The 'B' dimension refers to the edge of the closer shoe bracket to the center line of pivot or hinge.

Butt Hinges	Should not exceed 5" (127 mm) in width		
Auxiliary Stop	Recommended at hold-open point or where a door cannot swing beyond templated maximum opening		
Reveal	Arm Type	Reveal	Max Opening
	Regular Arm	4"	Up to 180°
	Long	9"	Up to 150°
	Hold-Open	4"	Up to 170°
	Long Hold-Open Arm	8-3/4"	Up to 155°
Top Rail	Requires 2" (51 mm) minimum.		
Head Frame	Less than 3-7/8" (98 mm) requires plate.		
Delayed Action	Delay closing from 180° to 70°. Delay time adjustable up to approximately 1 minute.		
Maximum Opening	<ul style="list-style-type: none"> ■ Templating allows up to 180° ■ Hold-open points up to maximum opening with hold-open arm 		
	To 100°:	A = 6-7/8" (175 mm) B = 12-11/16" (322 mm)	
	100° to 120°:	A = 5-7/8" (149 mm) B = 11-11/16" (297 mm)	
	120° to 150°:	A = 3-7/8" (98 mm) B = 9-11/16" (246 mm)	
	150° to 180°:	A = 3-3/8" (86 mm) B = 9-3/16" (233 mm)	



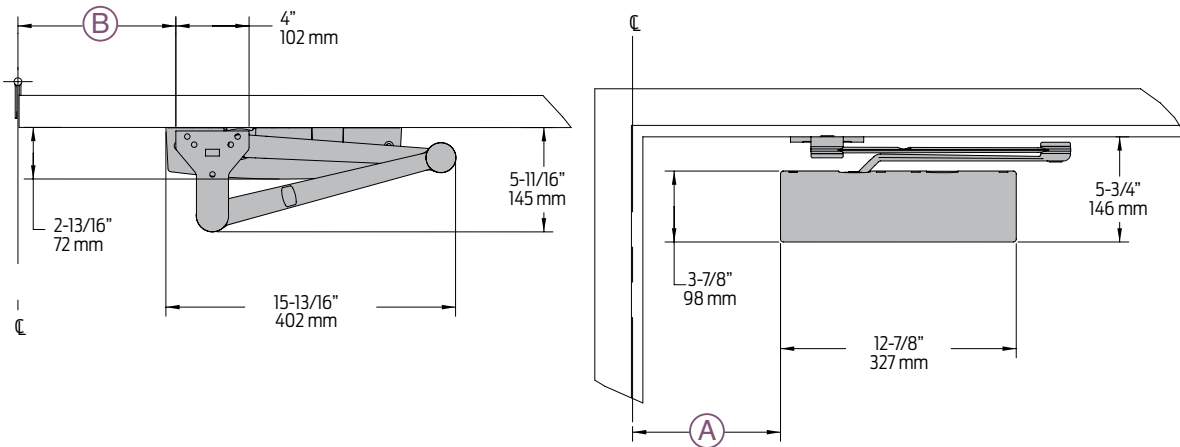
The 'A' dimension refers to the edge of the closer body to the center line of pivot or hinge.
 The 'B' dimension refers to the edge of the closer shoe bracket to the center line of pivot or hinge.

Butt Hinges	Should not exceed 5" (127 mm) in width
Auxiliary Stop	Recommended at hold-open point, where the door cannot swing beyond templated maximum opening, or where CUSH-N-STOP arm is not used
Top Rail	Less than 5-3/4" (146mm) measured from the stop requires PLATE, 4050-18PA. Plate requires 2-1/4" (57 mm) minimum from the stop
Clearance	For 4050-62PA shoe is 4-1/8" (105 mm) from door face
Head Frame	Flush or rabbeted requires PA SHOE ADAPTER, 4050-419
Stop Width	Minimum 1-3/16" (30 mm)
Blade Stop	Clearance requires 1/2" (13mm) BLADE STOP SPACER, 4050-61
Delayed Action	Delays closing from 180°-70°. Delay time adjustable up to approximately 1 minute
Auxiliary Shoe	4050-62A allows installation of regular arm with overhead holder/stop
Maximum Opening	To 100°: A = 8-1/16" (205 mm) B = 8-5/8" (219 mm)
	100° to 130°: A = 6-9/16" (167 mm) B = 7-1/8" (181 mm)
	130° to 150°: A = 5-9/16" (141 mm) B = 6-1/8" (156 mm)
	150° to 180°: A = 4-9/16" (116 mm) B = 5-1/8" (130 mm)
	Hold-open points up to maximum opening with hold-open arm

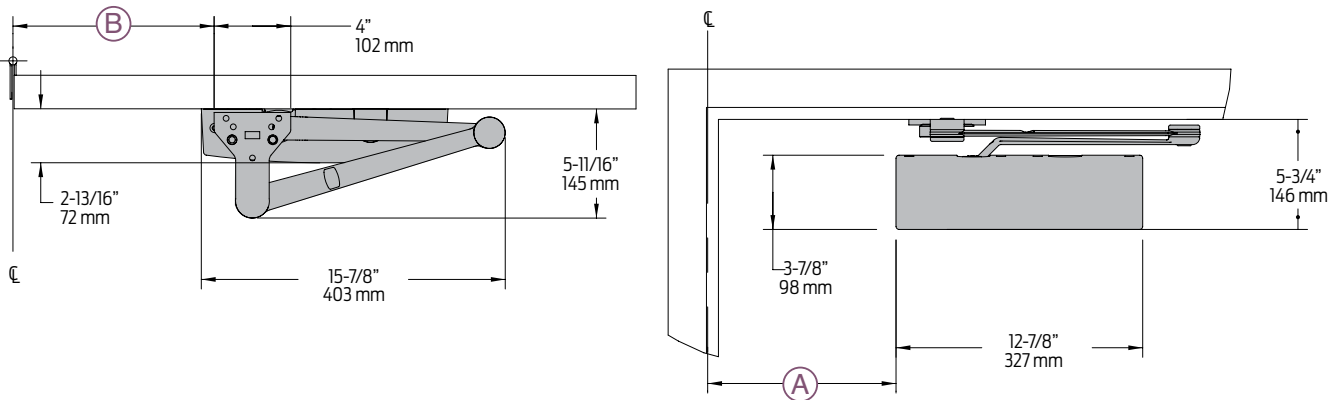
Note:

• Optional mounting requires PA SHOE, 4050-62PA for regular or HOLD-OPEN arms

EDA mount



CUSH mount



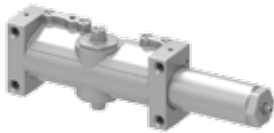
The 'A' dimension refers to the edge of the closer body to the center line of pivot or hinge.
 The 'B' dimension refers to the edge of the closer shoe bracket to the center line of pivot or hinge.

Clearance	4050-62EDA is 5-11/16" (145mm) from door face. 5-11/16" (145mm) for CUSH	
Head Frame	Flush or rabbeted requires FLUSH PANEL ADAPTER, 4050-419	
CUSH ARM	Requires CUSH SHOE SUPPORT, 4050-30 for fifth screw anchorage where reveal is less than 3-1/16" (78 mm)	
Delayed Action	Delays closing from 180° to approximately 70°. Delay time adjustable up to approximately 1 minute.	
Maximum Opening	EDA arm can be templated for points at: 100°	CUSH arms can be templated for opening/hold-open point at:
	100°: A = 8-1/16" (205 mm) B = 8-5/8" (219 mm)	85°: A = 9-13/16" (250 mm) B = 10-1/2" (267 mm)
	100° to 130°: A = 6-9/16" (167 mm) B = 7-1/8" (181 mm)	90°: A = 8-15/16" (227 mm) B = 9-5/8" (244 mm)
	130° to 150°: A = 5-9/16" (141 mm) B = 6-1/8" (156 mm)	95°: A = 8-5/16" (212 mm) B = 9" (229 mm)
	150° to 180°: A = 4-9/16" (116 mm) B = 5-1/8" (130 mm)	100°: A = 7-11/16" (196 mm) B = 8-3/8" (213 mm)
	Hold-open points up to maximum opening with HEDA arm	105°: A = 7-1/16" (180 mm) B = 7-3/4" (197 mm)
		110°: A = 6-9/16" (167 mm) B = 7-1/4" (184 mm)

Notes:

- Spring Cush dead stop points are approximately 5° more than templated stop point
- Hold open at templated stop points
- 4050 Series closers ordered with EDA or CUSH arms include 4050-201 FIFTH HOLE SPACER to support the shoe

Cylinders



4050-3071
Cast Aluminum Cylinder Assembly

- Non-handed
- Heavy duty



4050-3071 DEL
Cast Aluminum Cylinder Assembly

- Cylinder used for delayed action closing
- Non-handed
- Heavy duty

Covers



4050-72
Plastic Cover

- Non-handed
- Standard



4050-72MC
Metal Cover

- Non-handed
- Required for plated finishes and custom powder coat finishes
- Optional

Alternate Cover



4050-72ALT
Alternate Cover

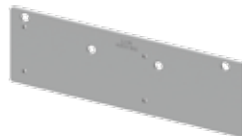
- Non-handed
- Optional, sold separately (not packed with closer)

Installation Accessories



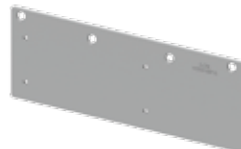
4050-18
Plate

- Required for hinge side mount where top rail is less than 3-7/8" (98 mm)
- Requires minimum 1-3/4" (44 mm) top rail



4050-18G
Plate

- Locates top jamb mounted closer flush with top of head frame face in flush ceiling condition
- Contact LCN Product Support for minimum head frame requirement.



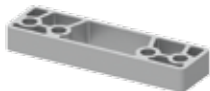
4050-18PA
Plate

- Required for parallel arm mounting where top rail is less than 5-3/4" (146 mm), measured from the stop
- Requires 2-1/4" (57 mm) minimum top rail



4050-30
Cush Shoe Support

- Provides anchorage for fifth screw used with CUSH arms, where reveal is less than 3-1/16" (78 mm)



4050-61
Blade Stop Spacer

- Required to lower parallel arm shoe to clear 1/2" (13 mm) blade stop



4050-419
Flush Panel Adapter

- Provides horizontal mounting surface for parallel arm shoe on single rabbeted or flush frame



4050-62A
Auxiliary Shoe

- Requires a top rail of 7-13/16" (198 mm)
- Replaces -62PA for parallel arm mounting of regular arm with overhead holder/stop
- Optional



4050-62PA
PA Shoe

- Required for parallel arm mounting

Arms



4050-3077
Regular Arm

- Non-handed
- Mounts pull side or top jamb with shallow reveal
- Includes PA SHOE, 4050-62PA required for parallel arm mounting



4050-3077L
Long Arm

- Non-handed
- Includes LONG ROD AND SHOE, 4050-79LR for top jamb mount
- Optional



4050-3049
Hold-Open Arm

- Non-handed
- Mounts pull side or top jamb with shallow reveal
- Hold-open adjustable shoe
- 4050 closer includes 4050-62PA shoe required for parallel arm mounting
- Optional



4050-3049L
Long Hold-Open Arm

- Non-handed
- Hold-open adjustable shoe
- Includes LONG HEAD AND TUBE, 4050-3048L for top jamb mount
- Optional



4050-3077EDA
Extra Duty Arm

- Non-handed
- Features forged, solid steel main and forearm for potentially abusive installations



4050-3049EDA
Hold-Open Extra Duty Arm

- Handed
- Features forged, solid steel main and forearm for potentially abusive installations
- Hold-open function is adjusted at the shoe



4050-3077EDA/62G
Extra Duty Arm With 62G

- Non-handed
- Features forged, solid steel main and forearm for potentially abusive installations
- 62G shoe provides additional blade stop clearance for use with additional door hardware such as an overhead holder



4050-3049EDA/62G
Hold-Open Extra Duty Arm With 62G

- Handed
- Features forged, solid steel main and forearm for potentially abusive installations
- 62G shoe provides additional blade stop clearance for use with additional door hardware such as an overhead holder
- Hold-open function is adjusted at the shoe



4050-3077CNS
Cush-N-Stop® Arm

- Non-handed
- Features solid forged steel main arm and forearm with stop in soffit shoe
- Optional



4050-3049CNS
HCUSH Arm

- Provides hold-open function with templated stop/hold-open points
- Handle controls hold-open function

Arms cont.



4050-3077SCNS
Spring CUSH Arm

- Non-handed
- For abusive applications features solid forged steel main arm and forearm with spring loaded stop in the soffit shoe
- Optional



4050-3049SCNS
Spring HCUSH Arm

- Non-handed
- For abusive applications features solid forged steel main arm and forearm with spring loaded stop in the soffit shoe
- Handle controls hold-open function
- Optional

How-to-order 4050 Series closers

1. Select finish

- Standard Powder Coat _____
Aluminum, Dark Bronze, Statuary,
Light Bronze, Black, Brass.

Closer will be shipped with:

- Standard cylinder
- Standard cover
- Tri pack arm (Rw/PA)
- Self-reaming and tapping screws
unless options listed below are selected.

Closer options

Cylinder

- Delayed Action (4050 DEL)

Cover

- Metal (specify right or left hand) (MC)
- Alternate Cover (ALT)
(sold separately from product)

Finish

- Custom Powder Coat (RAL) _____
(handed metal cover required)
- SRI primer (use with powder coat finishes only)

Arm

- Regular (REG)
- Long (LONG)
- Hold-Open (H)
- Hold-Open w/62PA (Hw/PA)
- Long Hold-Open (HLONG)
- Extra Duty Arm (EDA)
- Extra Duty Arm with 62G (EDA/62G)
- Hold Open Extra Duty Arm (HEDA)
(Handed)
- Hold Open Extra Duty Arm with 62
(HEDA/62G)(Handed)
- Cush-N-Stop (CUSH)
- HCush-N-Stop (HCUSH)
- Spring Cush (SCUSH)
- Spring HCush (SHCUSH)

Optional Screw Packs

- TB* w/Self-Reaming and Tapping (TBSRT)
- Wood & Machine Screw (WMS)
- TB*; Wood & Machine Screw (TBWMS)
- TORX Machine Screw (TORX)
- TB* & TORX Machine Screw (TBTRX)
* Specify door thickness if other than
1-3/4".

Installation Accessories

- Plate, 4050-18
- Plate, 4050-18G
- Plate, 4050-18PA
- CUSH Shoe Support, 4050-30
- Blade Stop Spacer, 4050-61
- Auxiliary Shoe, 4050-62A
- Flush Panel Adapter, 4050-419

Special Template

- ST- _____

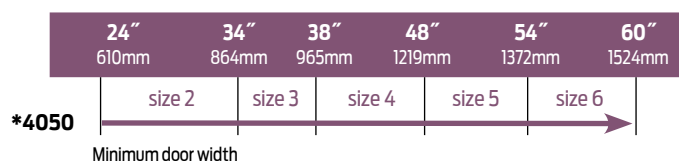
Table of sizes

- 4050 cylinders are adjustable from size 1 through size 6 and is shipped set to size 3
- Closing power of 4050 Series closers may be adjusted 50%

Exterior (and vestibule) door width



Interior door width




→ Indicates recommended range of door width for closer size. * Adjustable Size 1 thru 6.

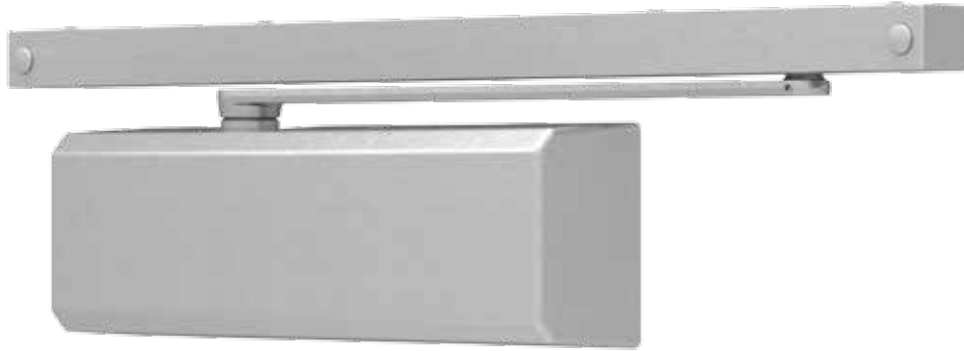
Reduced opening force 4050 Series closers

CAUTION! Any manual door closer, including those certified by BHMA to conform to ANSI Standard A156.4, that is selected, installed and adjusted based on ADA or other reduced opening force requirements may not provide sufficient power to reliably close and latch a door.

Refer to POWER OPERATORS section for information on systems that meet reduced opening force requirements without effecting closing power.

	DOOR WIDTH	36"	42"	48"
	8.5* lbs.	4050	4050	4050
5.0* lbs.	4050	4050	4050	

* Maximum opening force.

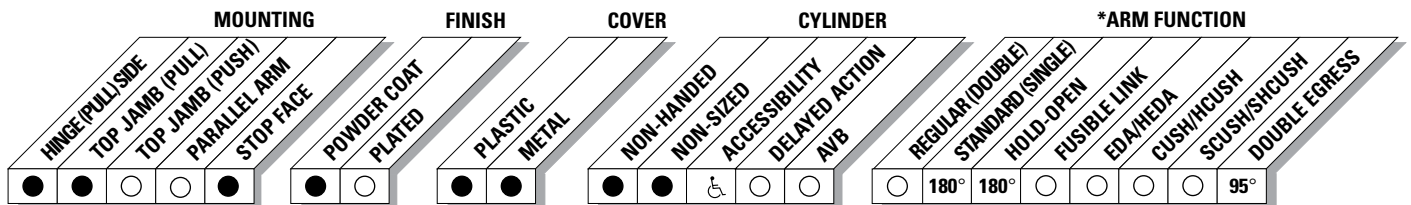


The 4050T cast aluminum heavy duty track closer is designed for rugged high frequency traffic areas. Ideal for commercial building applications and competitive specification situations that demand a combination of quality, reliability and value.

Certifications	Grade 1 - ANSI A156.4, UL 10C, ADA, 100 Hour Salt Spray, Meets BAA - Buy American Act	Cover	<ul style="list-style-type: none"> ■ Plastic, Standard ■ Metal, Optional
Body Construction	<ul style="list-style-type: none"> ■ Cast Aluminum Body ■ Full Complement Bearings ■ 1-1/2" Diameter Piston ■ 11/16" Diameter Double Heat Treated Pinion Journal 	Fasteners	Self Reaming and Tapping Screws (SRT)
Fluid	All Weather Fluid	Mounting	Pull side on door, pull side top jamb, push side on door
Handing	Non-Handed	Arms	Standard Arm and Track with Roller
Size	Adjustable Spring Size 1-4	Finishes/Colors/ Powder Coat	<ul style="list-style-type: none"> ■ Aluminum (689) ■ Statuary Bronze (690) ■ Light Bronze (691) ■ Black (693) ■ Dark Bronze (695) ■ Brass (696) ■ Custom colors optional
Warranty	25 years		<ul style="list-style-type: none"> ■ Optional SRI primer - powder coat only

Special Templates

Customized installation templates or products may be available to solve unusual applications. Contact LCN Product Support for assistance.



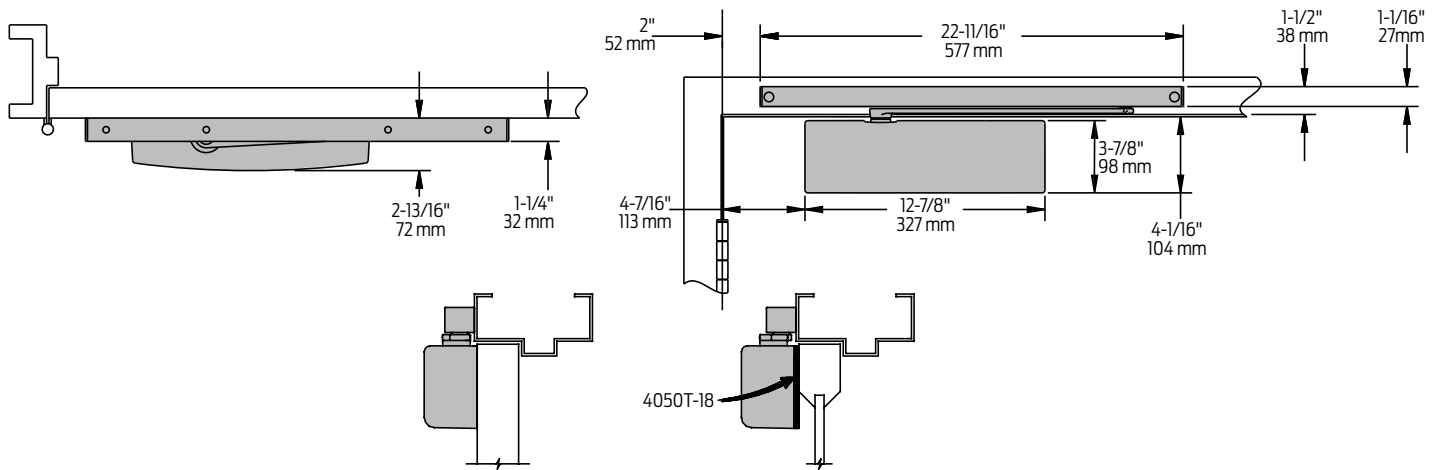
● AVAILABLE
○ NOT AVAILABLE

♿ Closer available with less than 5.0 lbs. opening force on 36" door (pull side and top jamb only).
* Maximum opening/hold-open point with standard template.

4050T Series

Mounting details

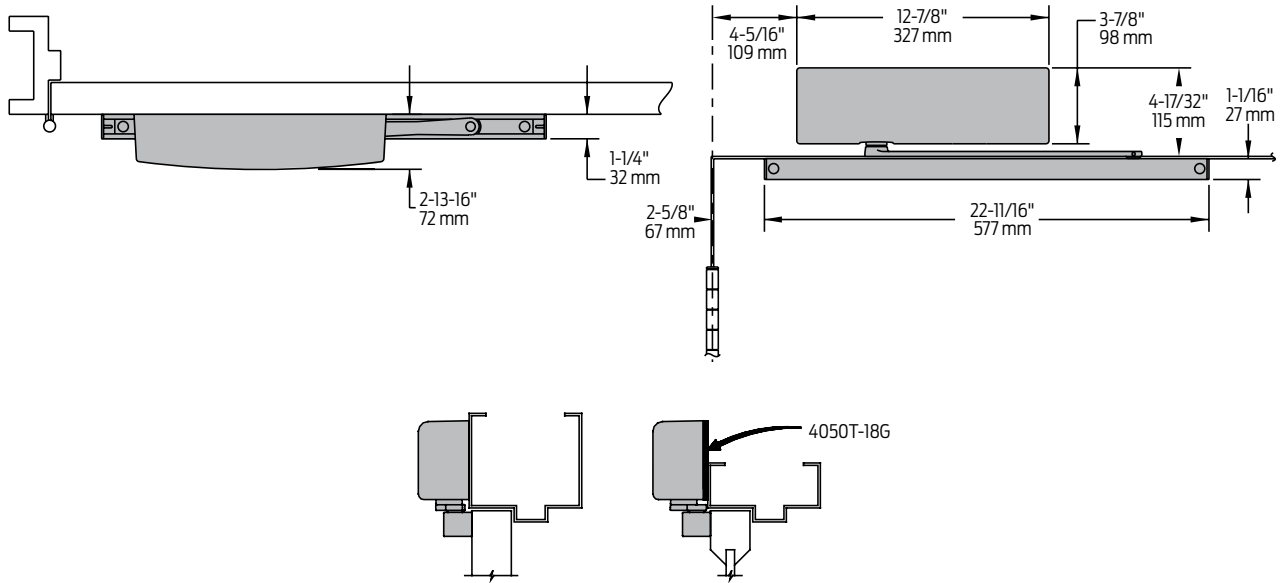
Hinge (Pull Side) Mounting



Butt Hinges	Should not exceed 5" (127 mm) in width
Auxiliary Stop	<ul style="list-style-type: none"> ■ Recommended at hold-open point or where a door cannot swing 180° ■ Optional track bumper assembly assists backcheck in cushioning the opening swing of the door ■ It is not intended to replace an auxiliary stop
Reveal	Should not exceed 1/8" (3 mm) for standard arm
Top Rail	Less than 4-1/8" (104 mm) requires PLATE, 4050T-18. Plate requires 2-1/16" (52mm) minimum
Head Frame	Requires 1-1/4" (32 mm) minimum
Clearance	2-13/16" (52 mm) behind door required for 90° installation
Maximum Opening	<ul style="list-style-type: none"> ■ Templating allows 180°

Notes:

- Many track style door closers are capable of allowing 180° of door swing
- The majority of track style closers are at their weakest closing force in the 180° – 130° range
- Consult factory for applications where door must swing 180°



Butt Hinges	Should not exceed 5" (127 mm) in width
Auxiliary Stop	<ul style="list-style-type: none"> ■ Recommended at hold-open point or where a door cannot swing 180° ■ Optional track bumper assembly assists backcheck in cushioning the opening swing of the door ■ It is not intended to replace an auxiliary stop
Reveal	Should not exceed 1/8" (3 mm)
Head Frame	Less than 4-1/2" (114 mm), requires PLATE, 4050T-18G. Plate requires 2-1/16" (52 mm) minimum
Clearance	1-1/4" (32 mm) behind door required for 180° installation
Maximum Opening	<ul style="list-style-type: none"> ■ Templating allows 180°

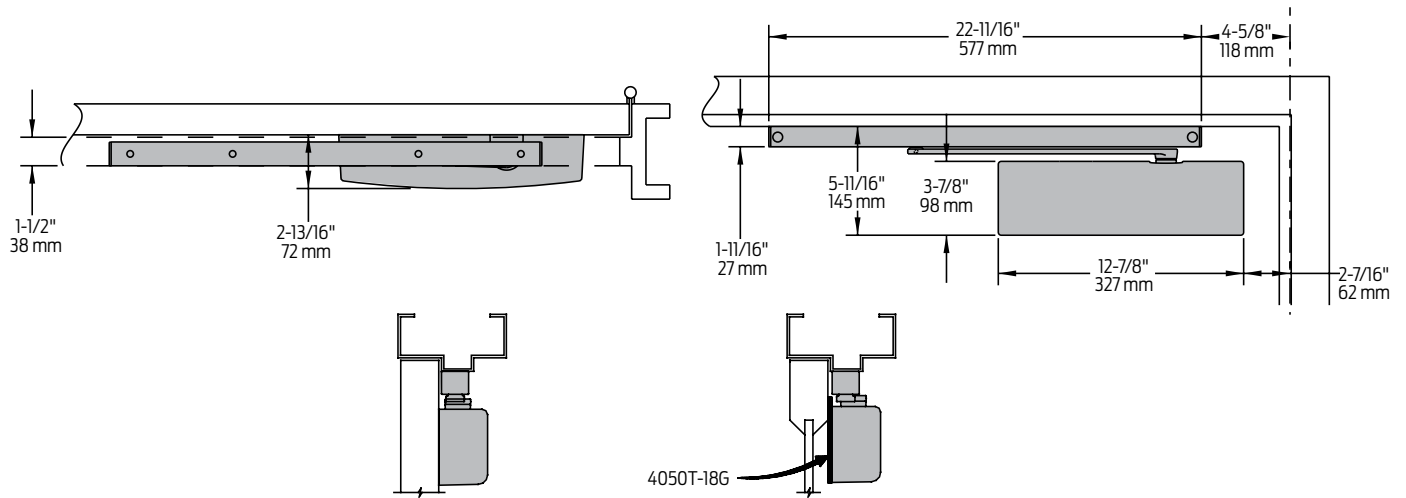
Notes:

- Many track style door closers are capable of allowing 180° of door swing
- The majority of track style closers are at their weakest closing force in the 180° – 130° range
- Consult factory for applications where an exterior or large/heavy door must swing 180°

4050T Series

Mounting details

Stop Face (Push Side) Mounting

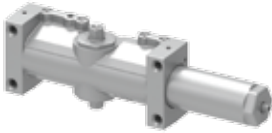


Butt Hinges	Should not exceed 5" (127 mm) in width
Auxiliary Stop	<ul style="list-style-type: none"> ■ Recommended at hold-open point or where a door cannot swing 120° ■ Optional track bumper assembly assists backcheck in cushioning the opening swing of the door ■ It is not intended to replace an auxiliary stop
Clearance	Projects 2-9/16" (65 mm) from face of door
Top Rail	<ul style="list-style-type: none"> ■ Less than 5-11/16" (144 mm) measured from the stop, requires PLATE, 4050T-18G ■ Plate requires 3-5/16" (84 mm) minimum
Stop Width	Minimum 1-1/4" (32 mm)
Maximum Opening	<ul style="list-style-type: none"> ■ Templating allows 120°

Notes:

- Many track style door closers are capable of allowing 180° of door swing
- The majority of track style closers are at their weakest closing force in the 180° – 130° range
- Consult factory for applications where door must swing 180°

Cylinder



4050T-3071
Cast Aluminum Cylinder
Assembly

- Non-handed
- Standard

Covers



4050T-72
Plastic Cover

- Non-handed
- Standard



4050T-72MC
Metal Cover

- Non-handed
- Required for plated finishes and custom powder coat finishes
- Optional

Arms



4050T-3077T
Standard Arm

- Non-handed
- Arm does not include track roller



4050T-3077DE
Double Egress Arm

- Handed
- For double egress doors and frames
- Does not include track roller
- Maximum reveal is 3" (76 mm)
- Optional

Tracks



4050T-3038
Standard Track

- Non-handed
- Non hold-open
- Will accept hold-open clip and/or bumper assembly
- Standard



4050T-3038B
Standard Track with Bumper

- Non-handed
- Non hold-open
- Will accept hold-open clip
- Optional



4050T-3038H
Hold-Open Track

- Non-handed
- With hold-open clip installed
- Will accept bumper assembly
- Optional



4050T-3038HB
Hold-Open Track with Bumper

- Non-handed
- With hold-open clip and bumper assembly installed
- Optional

Installation Accessories



4050T-18
Plate

- Required for pull side (door mount) installations where top rail is less than 4-1/8"
- Requires minimum 2-1/16" top rail



4050T-18G
Plate

- Required for pull side top jamb installations where head frame is less than 4-1/2"
- Requires minimum 2-1/16" head frame
- Required for push side (door mount) installations where top rail is less than 5-11/16" measured from the stop
- Requires minimum 3-5/16" top rail



4050T-169
Track Bumper

- Mounts in track to assist backcheck, does not replace auxiliary stop
- Limits maximum opening. Consists of bumper, bumper post, and mounting screw



4050T-3054
Hold-Open Clip

- Mounts in track to provide hold-open function)
- Hold-open point controlled by clip location
- Consists of clip and mounting screws
- Requires 4050T-3034H Hold-Open Track Roller



4050T-3034
Track Roller

- Quiet, low friction roller assembly
- Shoulder dimension "X" = 1/8" (3mm)



4050T-3034H
Hold-Open Track Roller

- Quiet, low friction roller assembly
- Shoulder dimension "X" = 1/8" (3mm)



4050T-480
Pinion Extender

- Connects pinion to arm

How-to-order 4050T Series closers

1. Select finish

- Standard Powder Coat _____
Aluminum, Dark Bronze, Statuary,
Light Bronze, Black, Brass.

Closer options

Cover

- Metal (MC)

Finish

- Custom Powder Coat (RAL) _____
(handed metal cover required)
- SRI primer (use with powder coat finishes only)

Track

- Regular with Bumper (BUMPER)
- Hold-Open (HO)
- Hold-Open with Bumper (HBUMPER)

Closer will be shipped with:

- Standard cylinder
- Standard cover
- Standard arm
- Track roller
- Standard track
- Self-reaming and tapping screws
unless options listed below are selected.

Specific Screw Pack

- TB* w/Self-Reaming and Tapping Screws (TBSRT)
 - Wood & Machine Screw (WMS)
 - TB*, Wood & Machine Screw (TBWMS)
 - TORX Machine Screw (TORX)
 - TB* & TORX Machine Screw (TBTORX)
- * Specify door thickness if other than 1-3/4".

Installation Accessories

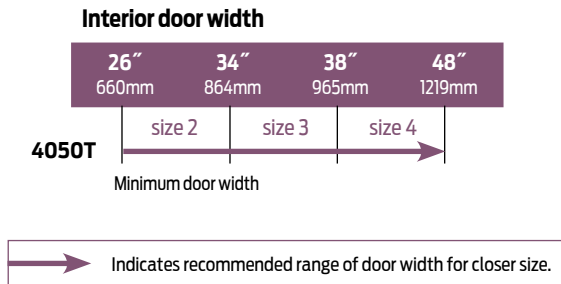
- Plate, 4050T-18
- Plate, 4050T-18G

Special Template

- ST- _____

Table of sizes


- Non-Sized 4050T cylinder is adjustable from sizes 1 thru 4 and is shipped set to size 3



Reduced opening force 4050T Series closers

CAUTION! Any manual door closer, including those certified by BHMA to conform to ANSI Standard A156.4, that is selected, installed and adjusted based on ADA or other reduced opening force requirements may not provide sufficient power to reliably close and latch a door.

Refer to POWER OPERATORS section for information on systems that meet reduced opening force requirements without effecting closing power.

	DOOR WIDTH	36"	42"	48"
	8.5* lbs.	N/A	N/A	N/A
	5.0* lbs.	4050T	4050T	4050T

* Maximum opening force. Applies to pull side and top jamb only.

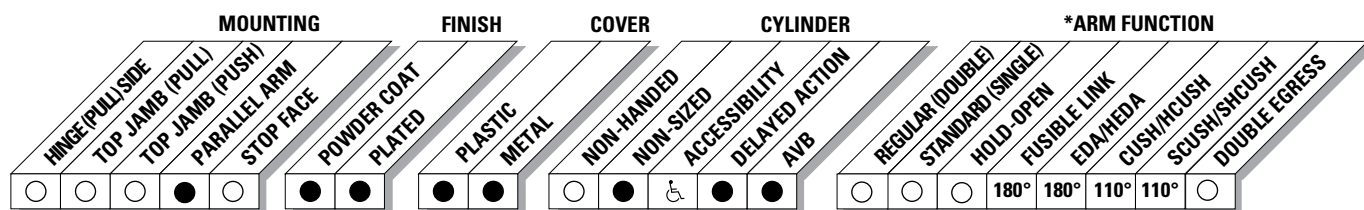


The 4110 is LCN's best performing heavy duty closer designed specifically for institutional and other rugged high traffic applications.

Certifications	Grade 1 - ANSI A156.4, UL 10C, ADA, 100 Hour Salt Spray, Meets BAA - Buy American Act	Cover	<ul style="list-style-type: none"> ■ Plastic, Standard ■ Metal, Optional
Body Construction	<ul style="list-style-type: none"> ■ Cast Iron Body ■ Full Complement Bearing ■ 1-1/2" Diameter Piston ■ 11/16" Diameter Double Heat Treated Pinion Journal 	Fasteners	Self Reaming and Tapping Screws (SRT)
Fluid	All Weather Fluid	Mounting	Parallel Arm (Push Side)
Handing	Handed	Arms	Extra-Duty arm
Templating	Peel-n-Stick templates - 2-1/2" x 6" Mounting Hole Pattern	Finishes/Colors/Powder Coat	<ul style="list-style-type: none"> ■ Aluminum (689) ■ Statuary Bronze (690) ■ Light Bronze (691) ■ Black (693) ■ Dark Bronze (695) ■ Brass (696) ■ Custom colors optional
Size	Adjustable Spring Size 1-5, or Sized 6, Includes Patented Green Dial		<ul style="list-style-type: none"> ■ Optional SRI primer - powder coat only ■ Optional plated finishes
Warranty	30 years		

Special Templates

Customized installation templates or products may be available to solve unusual applications. Contact LCN Product Support for assistance.



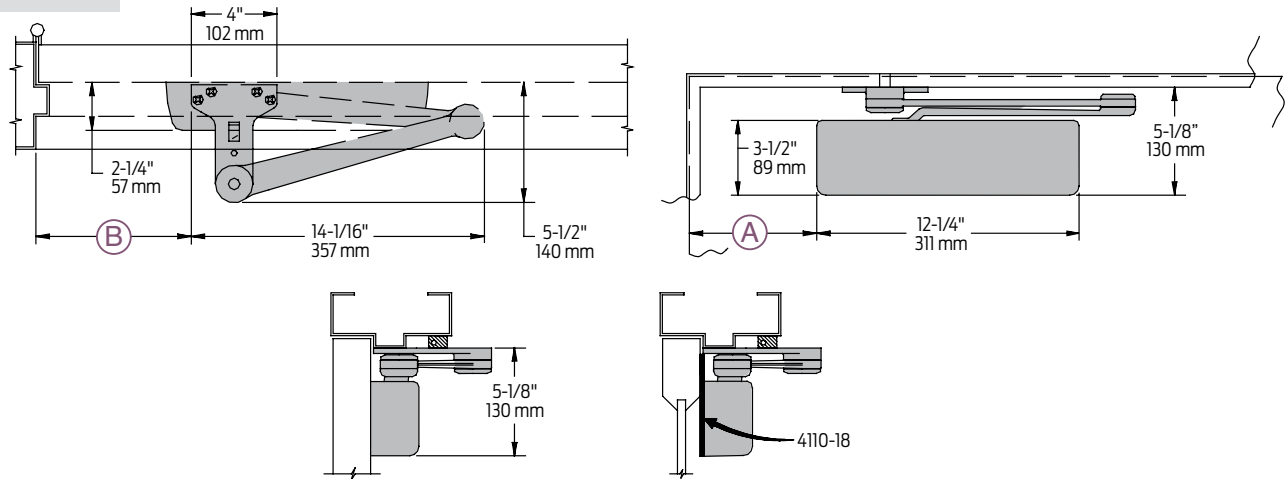
● AVAILABLE
○ NOT AVAILABLE

♿ Closer available with less than 5.0 lbs. opening force on 36" door.
* Maximum opening/hold-open point with standard template.

4110 Series

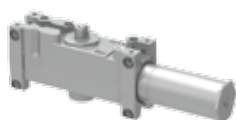
Mounting details

Parallel Arm (Push Side) Mounting



Butt Hinges	Should not exceed 5" (127 mm) in width	
Auxiliary Stop	Recommended at hold-open point, where a door cannot swing 180°, or where CUSH-N-STOP arm is not used	
Clearance	EDA, or CUSH shoe is 5-1/2" (140 mm) from door face	
Top Rail	<ul style="list-style-type: none"> Less than 5-1/8" (130 mm) measured from stop requires PLATE, 4110-18 Plate requires 2" (51 mm) minimum measured from the stop 	
Stop Width	Minimum 1" (25 mm)	
Head Frame	Flush or rabbeted requires CUSH FLUSH PANEL ADAPTER, 4110-419	
Reveal	Less than 2-3/4" (70 mm), use CUSH SHOE SUPPORT, 4110-30 with CUSH arms	
Blade Stop Spacer	4110-61 required to clear 1/2" (13 mm) blade stop	
Cush Arm	Requires CUSH SHOE SUPPORT, 4110-30 for fifth screw anchorage where reveal is less than 3-1/16" (78 mm)	
Delayed Action	<ul style="list-style-type: none"> Add suffix "DEL" to selected cylinder (eg. 4111 DEL) Not available with 4116 cylinder. Delays closing from maximum opening to approximately 70° Delay time adjustable up to approximately 1 minute 	
Advanced Variable Backcheck	<ul style="list-style-type: none"> Cylinder starts backcheck at approximately 45° instead of the normal 75° Add suffix "AVB" to selected cylinder 	
Maximum opening	EDA or Fusible Link arm can be templated for	CUSH arm can be templated for maximum opening at
	100° A = 5-15/16" (151 mm) B = 7-1/4" (184 mm)	85° A = 8-5/16" (211 mm) B = 9-5/8" (244 mm)
	140° A = 4-7/16" (113 mm) B = 5-3/4" (146 mm)	90° A = 7-11/16" (195 mm) B = 9" (229 mm)
	or 180° A = 2-15/16" (75 mm) B = 2-15/16" (75 mm)	or 110° A = 5-9/16" (141 mm) B = 6-7/8" (175 mm)
	<ul style="list-style-type: none"> Hold-open points up to maximum opening with HEDA or Fusible Link arm 	<ul style="list-style-type: none"> Hold-open point at maximum opening with HCUSH arm Spring Cush hold-open points are approximately 5° less than templated stop point

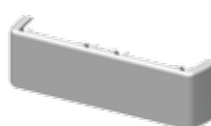
Cylinder



4111(6)-3071
Cast Iron Cylinder Assembly

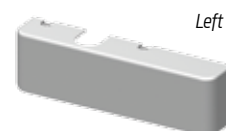
- Handed
- Standard

Covers



4110-72
Plastic Cover

- Non-handed
- Standard



Left hand shown

4110-72MC
Metal Cover

- Handed
- Required for plated finishes and custom powder coat finishes
- Optional

Arms



4110-3049EDA
Hold-Open Arm

- Handed
- Optional
- Provides hold-open function, adjustable at shoe



4110-3049FL
Fusible Link Arm

- Handed
- Releases hold-open function adjustable at shoe when exposed to temperatures above 165° F
- Optional

NOTE: Check local codes before specifying FL arms. NOT A life safety product!



4110-3077CNS
Cush-N-Stop Arm

- Non-handed
- Features solid forged steel main arm and forearm with built-in stop in soffit shoe



4110-3077EDA
Extra Duty Arm

- Non-handed
- Features forged, solid steel main and forearm for potentially abusive installations



4110-3077EDA/ 62G
Extra Duty Arm

- Non-handed
- Features forged, solid steel main and forearm for potentially abusive installations
- Optional 4110-62G thick hub shoe for blade stop clearance

Arms



4110-3049CNS
HCUSH Arm

- Non-handed
- Provides hold-open function with templated stop/ hold-open points.
- Handle controls hold-open function



4110-3077SCNS
Spring CUSH Arm

- Non-handed
- For abusive applications features solid forged steel main arm and forearm with spring loaded stop in the soffit shoe
- Optional



4110-3049SCNS
Spring HCUSH Arm

- Non-handed
- For abusive applications features solid forged steel main arm and forearm with spring loaded stop in the soffit shoe
- Handle controls hold-open function
- Optional

Installation Accessories



4110-18
Plate

- Required for push side mount where top rail is less than 5-1/8" (130 mm), measured from the stop
- Requires minimum 2" (51 mm) minimum top rail



4110-30
CUSH Shoe Support

- Provides anchorage for fifth screw used with CUSH arm, where reveal is less than 3-1/16" (78 mm)



4110-61
Blade Stop Spacer

- Lowers parallel arm shoe to clear 1/2" (13 mm) blade stop



4110-419
PA Flush Panel Adapter

- Provides horizontal mounting surface for CUSH shoe on single rabbeted or flush frame

How-to-order 4110 Series closers

1. Specify cylinder size

- 4111 (adjustable from size 1 to 5)
- 4116 (DEL, SHCUSH or HCUSH arm not available)

2. Specify hand

- RH
- LH

3. Select finish

- Standard Powder Coat _____
Aluminum, Dark Bronze, Statuary, Light Bronze, Black, Brass

Closer will be shipped with:

- Standard cylinder
- Standard cover
- Extra duty arm
- Self-reaming and tapping screws unless options listed below are selected.

Closer options

Cylinder

- Delayed Action (DEL) (not available with 4116)
- Advanced Variable Backcheck (AVB)

Cover

- Metal (MC)

Finish

- Custom Powder Coat (RAL) _____
(handed metal cover required)
- Plated Finish, US _____
(handed metal cover required)
- SRI primer (use with powder coat finishes only)

Specify Arm

- Hold-Open Extra Duty (HEDA)
- Fusible Link, 165° F (FL)
- Cush-N-Stop (CUSH)
- H-Cush-N-Stop (n/a with 4116 cylinder) (HCUSH)
- Spring Cush (SCUSH)
- Spring H-Cush (n/a with 4116 cylinder) (SHCUSH)
- Extra Duty (EDA)
- H-Extra Duty (HEDA)

Screw Packs

- TB* Self-Reaming & Tapping (TBSRT)
- Wood & Machine Screw (WMS)
- TB* Wood & Machine Screw (TBWMS)
- TORX Machine Screw (TORX)
- TB* & TORX Machine Screw (TBTRX)
* Specify door thickness if other than 1-3/4".

Installation Accessories

- Plate, 4110-18
- CUSH Shoe Support, 4110-30
- Blade Stop Spacer, 4110-61
- PA Flush Panel Adapter, 4110-419

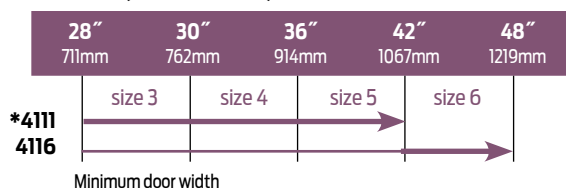
Special Template

- ST- _____

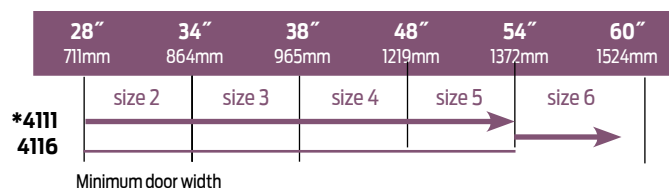
Table of sizes

- Select closer based on width of door.
- The spring power of non-sized 4111 cylinder is adjustable from size 1 through size 5 and is shipped set to size 3.
- Sized 4116 series cylinders 6.
- Delayed action not available with 4116 cylinder
- H - CUSH and SPRING H-CUSH arm not available with 4116 cylinder.

Exterior (and vestibule) door width



Interior door width




→ Indicates recommended range of door width for closer size. * Adjustable Size 1 thru 5.

Reduced opening force 4110 Series closers

CAUTION! Any manual door closer, including those certified by BHMA to conform to ANSI Standard A156.4, that is selected, installed and adjusted based on ADA or other reduced opening force requirements may not provide sufficient power to reliably close and latch a door.

Refer to AUTOMATIC OPERATORS section for information on systems that meet reduced opening force requirements without effecting closing power.

	DOOR WIDTH	36"	42"	48"
	8.5* lbs.	4111	4111	4111
5.0* lbs.	4111	4111	4111	

* Maximum opening force.



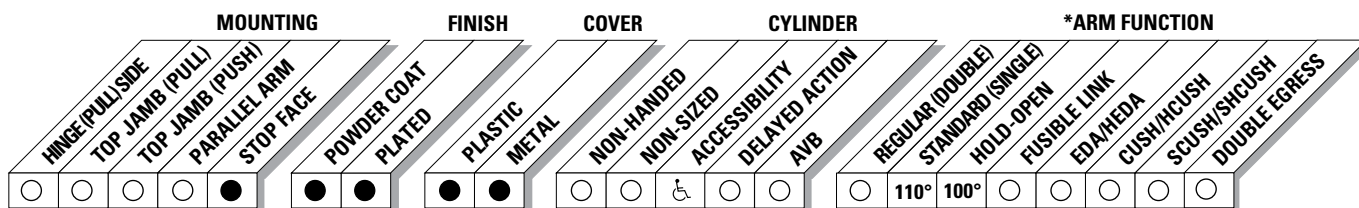
The 4110T is LCN's best performing heavy duty track closer designed specifically for interior doors in institutional and other high traffic applications.

Certifications	Grade 1 - ANSI A156.4, UL 10C, ADA, 100 Hour Salt Spray, Meets BAA - Buy American Act
Body Construction	<ul style="list-style-type: none"> ■ Cast Iron Body ■ Full Complement Bearing ■ 1-1/2" Diameter Piston ■ 11/16" Diameter Double Heat Treated Pinion Journal
Fluid	All Weather Fluid
Handing	Handed
Size	Adjustable Spring Size 1-5, or Sized 6. Includes Patented Green Dial
Warranty	30 years

Cover	<ul style="list-style-type: none"> ■ Plastic, Standard ■ Metal, Optional
Fasteners	Self Reaming and Tapping Screws (SRT)
Mounting	Stop Face (Push Side)
Arms	Standard Arm and Track with Roller
Finishes/Colors/ Powder Coat	<ul style="list-style-type: none"> ■ Aluminum (689) ■ Statuary Bronze (690) ■ Light Bronze (691) ■ Black (693) ■ Dark Bronze (695) ■ Brass (696) ■ Custom colors optional
	<ul style="list-style-type: none"> ■ Optional SRI primer - powder coat only ■ Optional plated finishes

Special Templates

Customized installation templates or products may be available to solve unusual applications. Contact LCN Product Support for assistance.



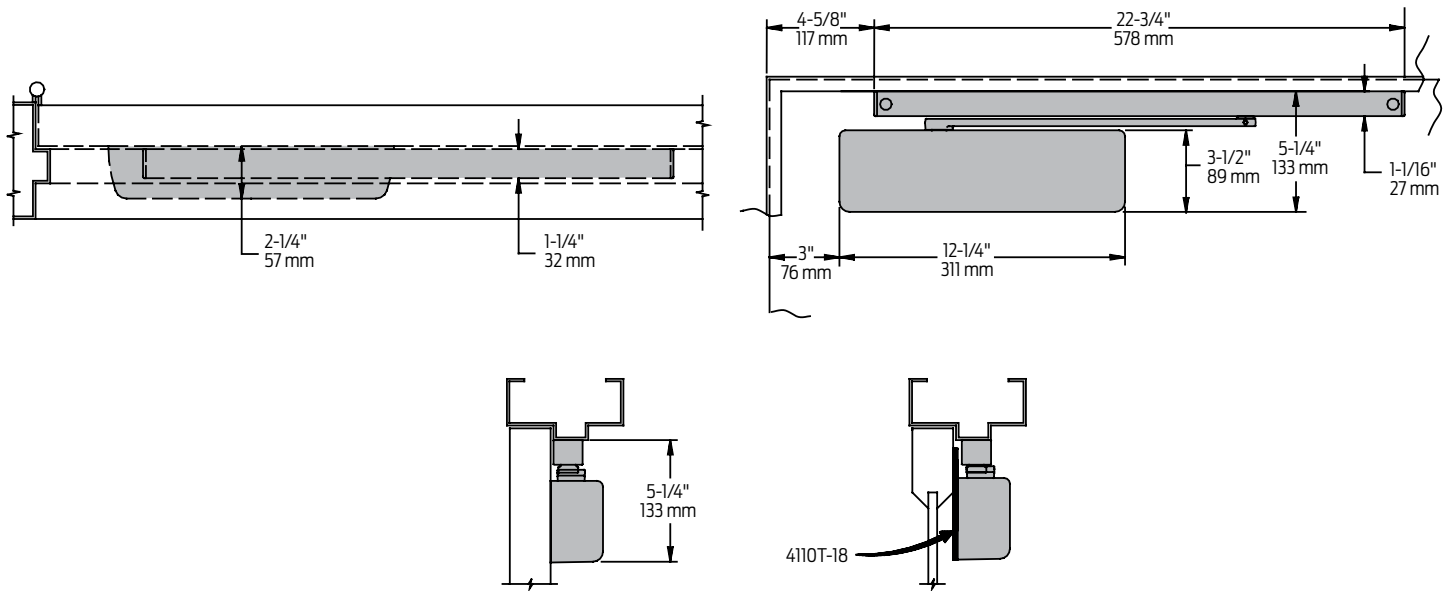
● AVAILABLE
○ NOT AVAILABLE

♿ Closer available with less than 5.0 lbs. opening force on 36" door.
* Maximum opening/hold-open point with standard template.

4110T Series

Mounting details

Stop face (Push Side) Mounting

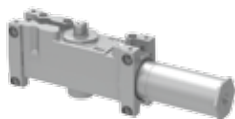


Butt Hinges	Should not exceed 5" (127 mm) in width
Auxiliary Stop	<ul style="list-style-type: none"> ■ Recommended at hold-open point or where a door cannot swing 110°. ■ Optional track bumper assembly assists backcheck in cushioning the opening swing of the door ■ It is not intended to replace an auxiliary stop
Clearance	Projects 2-1/4" (57 mm) from face of door
Top Rail	<ul style="list-style-type: none"> ■ Less than 5-1/4" (133 mm) measured from the stop, requires PLATE, 4110T-18 ■ Plate requires 2-1/4" (57 mm) minimum
Stop Width	Minimum 1-1/4" (32 mm)
Maximum Opening	<ul style="list-style-type: none"> ■ Templating allows 110° with standard track arm, limited to 100° with optional bumper tracks ■ Variable hold-open angles with infinite options

Notes:

- Many track style door closers are capable of allowing 180° of door swing
- The majority of track style closers are at their weakest closing force in the 180° – 130° range
- Consult factory for applications where door must swing 180°

Cylinder



4111(6)T-3071
Cast Iron Cylinder Assembly

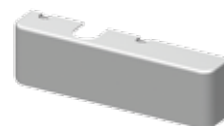
- Handed
- Standard

Covers



4110T-72
Plastic Cover

- Non-handed
- Standard



4110T-72MC
Metal Cover

- Handed
- Required for plated finishes and custom powder coat finishes
- Optional

Arm



4110T-3077T
Standard

- Handed
- Roller not included with arm

Tracks



4110T-3038
Standard Track

- Non-handed
- Non hold-open
- Will accept hold-open clip and/or bumper assembly
- Standard



4110T-3038B
Standard Track with Bumper

- Non-handed
- Non hold-open
- With bumper assembly installed
- Will accept hold-open clip
- Optional



4110T-3038H
Hold-Open Track

- Non-handed
- With hold-open clip installed
- Will accept bumper assembly
- Optional



4110T-3038HB
Hold-Open Track with Bumper

- Non-handed
- With hold-open clip and bumper assembly installed
- Optional

Installation Accessories



4110T-18
Plate

- Required where top rail, when measured from the stop, is less than 5-1/4" (133 mm)
- Requires minimum 2-1/4" (57 mm) minimum top rail



4110T-169
Track Bumper

- Mounts in track to assist backcheck, not replace auxiliary stop
- Limits maximum opening. Consists of bumper, bumper post, and mounting screw



4110T-3054
Hold-Open Clip

- Mounts in track to provide hold-open function
- Hold-open point controlled by clip location
- Consists of clip and mounting screws
- Requires 4110T-3034H Track Roller



4110T-3034
Track Roller

- Quiet, low friction roller assembly
- Shoulder dimension "X" = 1/16" (2 mm)



4110T-3034H
Track Roller

- Quiet, low friction roller assembly
- Shoulder dimension "X" = 1/16" (2mm)
- Spring-loaded hold-open mechanism

How-to-order 4110T Series closers

1. Specify cylinder size

- 4111T (ADA)
- 4113T
- 4114T

2. Specify hand

- RH
- LH

3. Select finish

- Standard Powder Coat _____
Aluminum, Dark Bronze, Statuary, Light Bronze, Black, Brass

Closer will be shipped with:

- Standard cover
- Standard arm
- Track roller
- Standard track
- Self-reaming and tapping screws
unless options listed below are selected.

Closer options

Cover

- Metal (MC)

Finish

- Custom Powder Coat (RAL) _____
(handed metal cover required)
- Plated Finish, US _____
(handed metal cover required)
- SRI primer (use with powder coat finishes only)

Specify Track

- Standard with Bumper (BUMPER)
- Hold-Open (HO)
- Hold-Open with Bumper (HBUMPER)

Specify Screw Packs

- TB* w/Self-Reaming and Tapping (TBSRT)
- Wood & Machine Screw (WMS)
- TB*, Wood & Machine Screw (TBWMS)
- TORX Machine Screw (TORX)
- TB* & TORX Machine Screw (TBTRX)
- * Specify door thickness if other than 1-3/4".

Installation Accessories

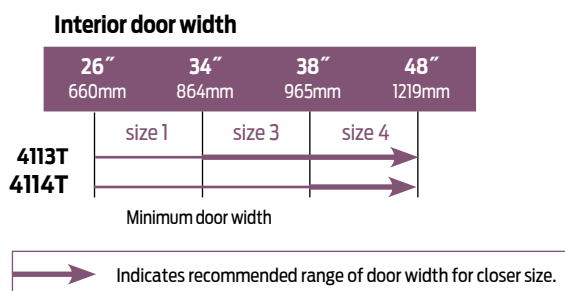
- Plate, 4110T-18

Special Template

- ST- _____

Table of sizes

- Select closer based on width of door
- Sized 4110T series cylinders available in size 1, 3 or 4
- Closing power of all 4110T Series closers may be increased 15%
- Specify next higher size closer where strong drafts exist



Reduced opening force 4110T Series closers

CAUTION! Any manual door closer, including those certified by BHMA to conform to ANSI Standard A156.4, that is selected, installed and adjusted based on ADA or other reduced opening force requirements may not provide sufficient power to reliably close and latch a door.

Refer to POWER OPERATORS section for information on systems that meet reduced opening force requirements without effecting closing power.

	DOOR WIDTH	36"	42"	48"
	8.5* lbs.	N/A	N/A	N/A
	5.0* lbs.	4111T	4111T	4111T

* Maximum opening force.

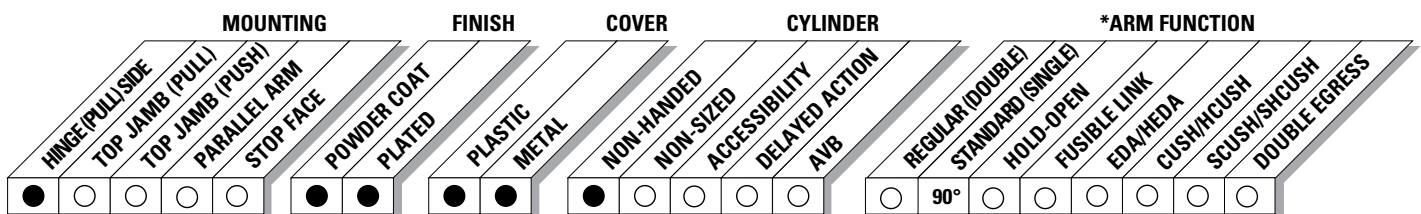


The 4000T is a heavy duty closer to reliably control fire and smoke barrier doors with maximum swing of 90°. Designed for use with an SEM 7850 wall magnet.

Certifications	Grade 1 - ANSI A156.4, UL 10C, ADA, 100 Hour Salt Spray, Meets BAA - Buy American Act	Cover	<ul style="list-style-type: none"> ■ Plastic, Standard ■ Metal, Optional
Body Construction	<ul style="list-style-type: none"> ■ Cast Iron Body ■ Full Complement Bearing ■ 1-1/2" Diameter Piston ■ 3/4" Diameter Double Heat Treated Pinion Journal 	Fasteners	Wood and machine screw pack
Fluid	All Weather Fluid	Mounting	In a wall pocket, hinge side
Handing	Non-Handed	Arms	Standard Arm and Track with Roller
Size	Sized 3 or 4	Finishes/Colors/ Powder Coat	<ul style="list-style-type: none"> ■ Aluminum (689) ■ Statuary Bronze (690) ■ Light Bronze (691) ■ Black (693) ■ Dark Bronze (695) ■ Brass (696) ■ Custom colors optional
Warranty	30 years		<ul style="list-style-type: none"> ■ Optional SRI primer - powder coat only ■ Optional plated finishes

Special Templates

Customized installation templates or products may be available to solve unusual applications. Contact LCN Product Support for assistance.



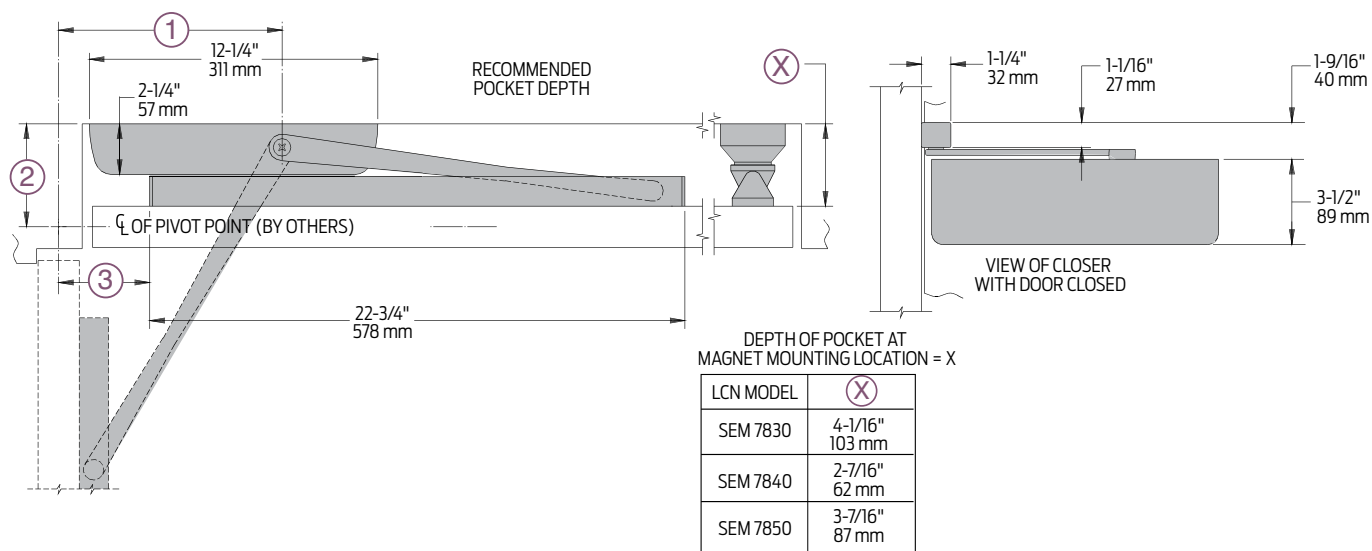
● AVAILABLE
○ NOT AVAILABLE

* Maximum opening/hold-open point with standard template.

4000T Series

Mounting details

Wall pocket mounting

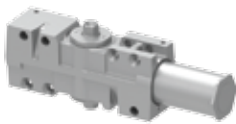


Butt Hinges	<ul style="list-style-type: none"> ■ Pocket Pivot, Total Door Hinge or Center Pivot are door mounting options ■ Should not exceed 5" (127 mm)
Pocket Depth	<ul style="list-style-type: none"> ■ See above table for distance required between door and closer mounting location ■ This dimension is measured from the cylinder mounting surface to the pull side face of the door at 90°
Wall Magnet	<ul style="list-style-type: none"> ■ SEM 7850 is recommended. Use of other magnets may require special construction to alter the depth of the pocket at the magnet location ■ See Fire Life Safety Section
Dimension 1	<ul style="list-style-type: none"> ■ The distance from the centerline of the closer shaft to the centerline of the hinge or pivot ■ For pocket pivot or total door hinge, 9-1/2" (241 mm) ■ For butt hinge 8" (203 mm) ■ For center pivot 10" (254 mm)
Dimension 2	<ul style="list-style-type: none"> ■ The distance from the centerline of the pivot or hinge to the cylinder mounting surface ■ For pocket pivot 4-1/2" (114 mm) ■ For total door hinge 3-7/8" (98 mm) ■ For butt hinge 2-7/8" (73 mm) ■ For center pivot 4-1/2" (114 mm)
Dimension 3	<ul style="list-style-type: none"> ■ The distance from the centerline of the pivot or hinge to end of the track ■ For pocket pivot or total door hinge, 3-7/8" (98 mm) ■ For butt hinge 2-3/8" (60 mm) ■ For center pivot 4-5/8" (117 mm)
Maximum Opening	<ul style="list-style-type: none"> ■ Templating allows 90° only ■ Hold-open point 90° with magnet

Notes:

- Cylinder mounts on wall
- Track mounts on hinge side of door

Cylinder



4003(4)T-3071
Cast Iron Cylinder Assembly

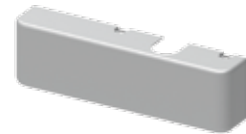
- Non-handed
- Standard

Covers



4000T-72
Plastic Cover

- Non-handed
- Standard



4000T-72MC
Metal Cover

- Handed
- Required for plated and custom powder coat finishes
- Optional

Arm



4000T-3077T
Standard Arm

- Non-handed
- Roller not included with arm

Tracks



4000T-3038
Standard Track

- Non-handed
- Non hold-open
- Will not accept hold-open clip or bumper assembly
- Standard



4000T-3034
Track Roller

- Quiet, low friction roller assembly
- Shoulder Dimension "X" = 1/8" (3 mm)

4000T Series

Ordering Information

How-to-order 4000T Series closers

1. Select cylinder size

- 4003T
- 4004T

2. Select finish

- Standard Powder Coat _____
Aluminum, Dark Bronze, Statuary, Light Bronze, Black, Brass

Closer will be shipped with:

- Standard cylinder
- Standard cover
- Standard arm
- Track roller
- Standard track
- Self-reaming and tapping screws unless options listed below are selected.

Closer options

Cover

- Metal (MC)

Finish

- Custom Powder Coat (RAL) _____
(handed metal cover required)
- Plated Finish, US _____
(handed metal cover required)
- SRI primer (use with powder coat finishes only)

Specify Screw Packs

- TB*, Wood & Machine Screw (TBWMS)
- TORX Machine Screw (TORX)
- TB* & TORX Machine Screw (TBTRX)
* Specify door thickness if other than 1-3/4".

Special Template

- ST- _____

Table of sizes

- Select closer based on width of door
- 4000T Series cylinders available in size 3 or 4
- Closing power of 4000T Series closers is not adjustable

